

“LEADER IN ANIMAL CARE PRODUCTS FOR OVER 60 YEARS”



SSCI

SUBURBAN SURGICAL Co., INC.

275 Twelfth Street, Wheeling, IL 60090

All intellectual material, including the text, graphics and other components of this catalog are Copyrighted by SSCI. Any use or duplication of these intellectual materials, without written consent by SSCI, is strictly forbidden.

Catalog No. 702488-0308

For Product Information Call TOLL-FREE 1-800-323-7366 • (847) 537-9320 • Fax (847) 537-9061
Hours: 8:30am - 5:00pm CST Monday - Friday
Visit our website at: www.suburbansurgical.com

STAINLESS STEEL EXAM TABLES

CLASSIC EXAM TABLES

SSCI Classic Exam Tables are engineered for stability, durability and easy care. Choose from Pedestal Base, Pedestal with Tilt Base, Wall-mounted or Tubular Base.

All of our Classic Exam Tables feature a stainless steel top; engineered for stability, durability and easy care. Unique details such as a raised edge on four sides to contain fluids, hemmed sides to eliminate sharp edges and a Thermo-Fused Melamine-finished

underside add up to create a Table Top of unsurpassed quality. And only available from SSCI.

Classic Pedestal Base Exam Tables require minimal floor space while providing a stable working surface with access to the patient on all four sides.

Our Wall-mounted Classic Exam Tables require no floor space. Choose the Classic Tubular Base when a light, easily-moved Exam Table is preferred.



Classic Pedestal Exam Table

CLASSIC EXAM TABLES ARE AVAILABLE IN A WIDE VARIETY OF STYLES:



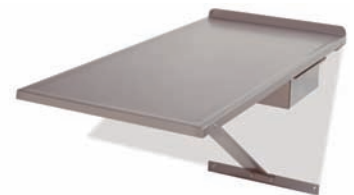
Classic Pedestal Exam Table with Tilt Top



Classic Pedestal Exam Table with Regal 300 Electronic Scale



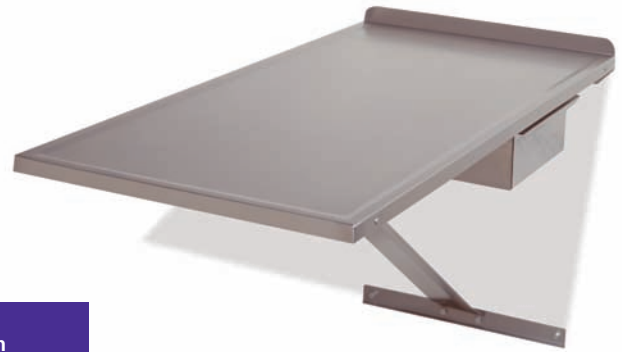
Classic Tubular Base Exam Table



Classic Longitudinal Wall-Mounted Exam Table

Classic Longitudinal Wall-Mounted Exam Table

Made of stainless steel, this Table extends out from wall to provide a two-sided work surface with plenty of leg room. Rigid frame and a support bracket mount table securely to wall. Backsplash prevents fluids and debris from getting trapped between the wall and table. Melamine-finished underside repels moisture for easy care and long life. Storage drawer opens from either side to keep supplies close at hand.



P/N	DESCRIPTION	DIMENSIONS	
		In.	Cm
12570-00-GZAADG	Wall-Mount Exam Table	45.247W x 21.307D	114.93W x 54.12D

Classic Lateral Wall-Mounted Exam Table

A great space-saver, this table allows you to use the wall to help steady and control your patient. It's also useful as a prep table in treatment areas of your facility. Rigid stainless steel frame and support brackets mount table securely to wall. Backsplash prevents fluids and debris from getting trapped between the wall and table. Melamine-finished underside repels moisture for easy care and long life. Storage drawer keeps supplies close at hand.



P/N	DESCRIPTION	DIMENSIONS	
		In.	Cm
12571-00-IUAADG	Lateral Exam Table	57.245W x 21.247D	145.40W x 53.97D

Classic Folding Longitudinal Wall-Mounted Exam Table

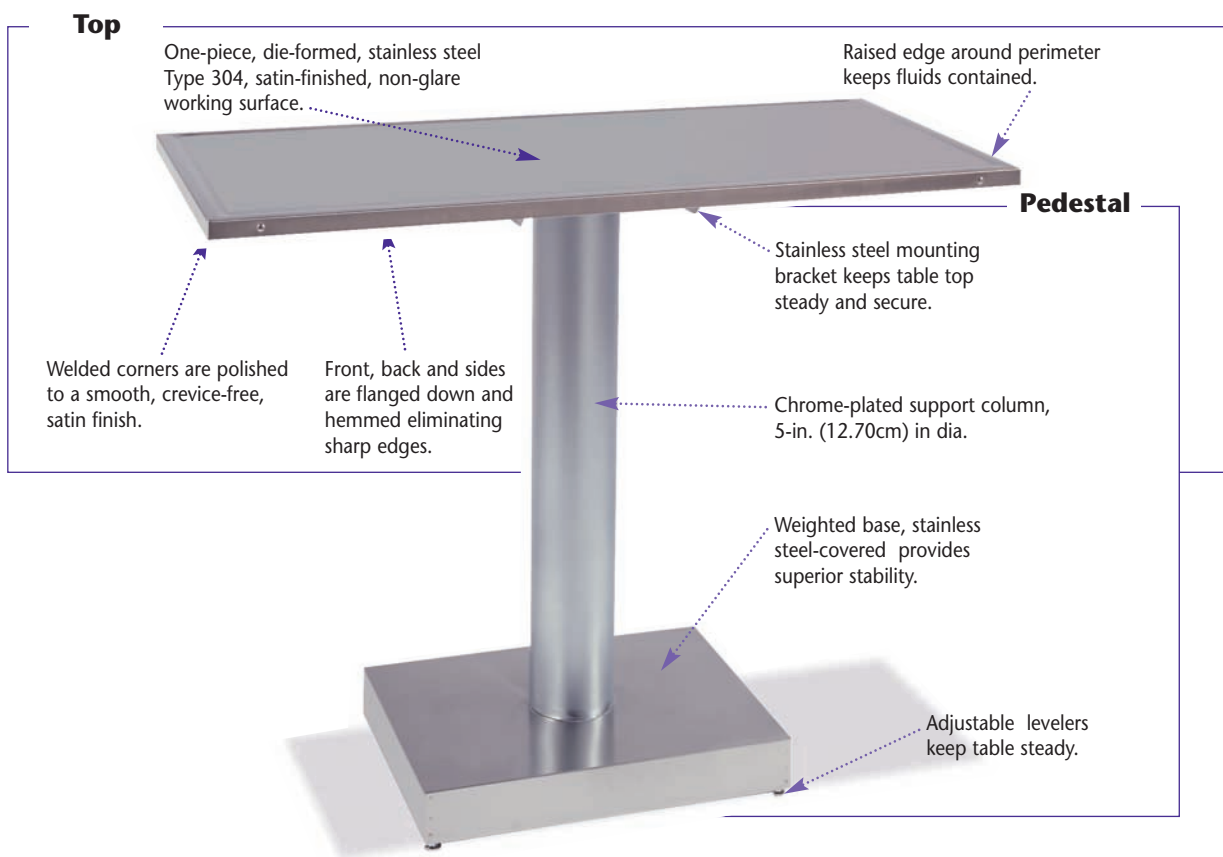
This versatile table is the ideal solution in confined spaces where an extra work surface is needed. It quickly folds up out of the way against the wall when not in use. Extends less than 5-in. (12.70cm) from the wall when folded. Easy-to-use lock/release handle lets you lower the table when needed, locks table in either extended or folded position for safety. Rigid stainless steel frame mount table securely to wall. Melamine-finished underside repels moisture for easy care and long life.



P/N	DESCRIPTION	DIMENSIONS	
		In.	Cm
12572-00-GZAADG	Folding Wall-Mount Exam Table	45.247W x 21.284D	114.93W x 54.06D

Classic Pedestal Exam Tables

CLASSIC PEDESTAL EXAM TABLES ARE DESIGNED WITH THESE QUALITY FEATURES:



Classic Pedestal Exam Table

Pedestal Table requires minimal floor space while providing a stable working surface with access to the patient on all four sides.



P/N	DESCRIPTION	DIMENSIONS	
		In.	Cm
12590-00-GZFQDG	Classic Pedestal Exam Table	45.221W x 36.513H x 21.284D	114.86W x 92.74H x 54.06D

Classic Pedestal Exam Table with Tilt Top

Stainless steel tilt mechanism allows you to incline the table top from horizontal to nearly vertical to perform a variety of procedures, also locks table top securely in place. See Optional Casters on next page.

P/N	DESCRIPTION	DIMENSIONS	
		In.	Cm
12591-00-GZFPDG	Classic Pedestal Table with Tilt Top	45.221W x 36.513H x 21.284D	114.86W x 92.74H x 54.06D

Classic Pedestal Exam Table with Regal 300 Electronic Scale

Features an Regal 300 Electronic Scale to give you an accurate reading of an animal's weight during Exam and treatment. Allows you to accurately assess the patient's requirements for inoculations and anesthesia. See Regal 300 Scale for a full description.



P/N	DESCRIPTION	DIMENSIONS	
		In.	Cm
12592-00-GZFPDH	Classic Pedestal Exam Table with Regal 300 Electronic Scale*	45.438W x 36.513H x 21.438D	115.41W x 92.74H x 54.45D

*See Electronic Scales Section for information on the Regal 300

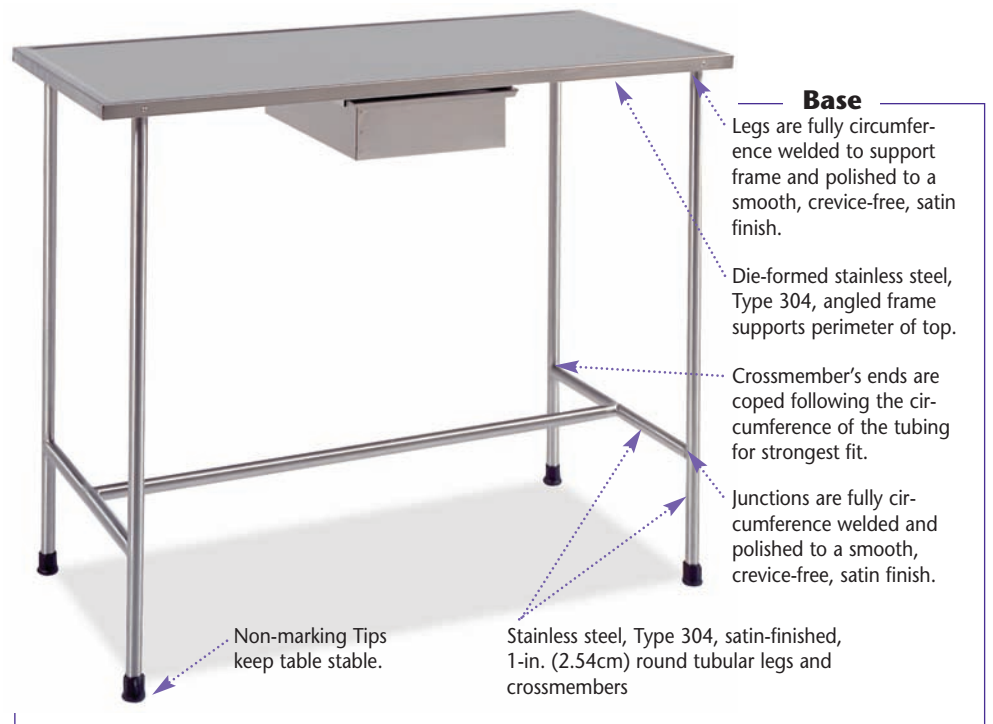
Exam Table Casters

Rubber casters add mobility to any of our Pedestal Exam Tables to let you move the table wherever you need it within your facility. Wheel brakes on all casters ensure the table stays where you want it. Four casters are required.

P/N	DESCRIPTION
C010-23061001-CH000	Nickel-plated Casters, 3-in. (7.62cm) diameter

Classic Tubular Base Exam Table

Features a one-piece, welded stainless steel tubular base with non-skid rubber leg tips for stability. Stainless steel drawer is mounted under table top to keep supplies close at hand. Drawer may be accessed from either side of the table.



P/N	DESCRIPTION	DIMENSIONS	
		In.	Cm
12580-00-GZFODG	Classic Tubular Base Exam Table	45.221W x 36.252H x 21.284D	114.86W x 92.08H x 54.06D

LAMINATED EXAM TABLES

PREMIER EXAM TABLES KEEP SUPPLIES CLOSE AT HAND



**Premier Exam Tables
4 Drawers + Cupboard, Door Hinged Right
Regal 300 Electronic Scale Top**

AVAILABLE IN THREE STYLES OF TABLES TO SUIT YOUR NEEDS:



**Premier Exam Tables on Stainless Steel Legs
3 Drawers + Cupboard, Door Hinged Right
Laminated Top**



**Premier Mobile Exam Tables
3 Drawers + Cupboard, Door Hinged
Right Stainless Steel Top**



**Premier Exam Table
3 Drawers + Cupboard, Door Hinged Right
Stainless Steel Top**

SSCI Premier Exam Tables coordinate with our Aristocrat Modular Cabinetry in appearance and match every construction detail. SSCI's Exam Tables and Cabinetry allow you to work efficiently in an organized, space-saving environment; giving your facility a professional look, that your staff and clients will appreciate.

Cabinet body panels are constructed of 45-lb. density, industrial-grade substrate, panels are machined on a CNC machine for accuracy. Panels are dadoed and rabbetted for tight-fitting joints. Joints are glued with adhesive impervious to liquids and mechanically-fastened to ensure a solid, sturdy cabinet.

All cabinet interiors are finished with Thermo-Fused Melamine, making them water, odor and chemical-resistant.

Drawer's steel sides feature integrated roller slides with baked-on, white epoxy finish. Drawer's back/bottom are .625-in. thick; open/close easily with 100 lb. load. 3D micro-adjustment ensures drawer alignment.

Door's positive-action, invisible hinges have self-closing mechanism, also holds door open. 3D micro-adjustment ensures door alignment.

All finished, exterior surfaces including the body's edges, drawer and cupboard door edges are laminated with high-pressure plastic laminate, available in SSCI Standard colors, or SSCI optional colors or choose from a spectrum of customer-selected colors to blend with your décor.

It's easy to create the ideal Exam Table for your needs at SSCI. That's because we offer three styles of Tables with various cupboard/drawer and refrigerator combinations, along with a selection of Table Top styles.

There are 3 steps to selecting the perfect Exam Table for your facility.

Select from illustrations on following pages :

- 1) Cabinets on sturdy stainless steel legs, cabinets on stainless steel base with swivel casters or floor-standing cabinets
- 2) Drawers and/or cupboard combinations.
- 3) Laminated, stainless steel or Platform Scale Table Top

PREMIER EXAM TABLES ARE AVAILABLE WITH THREE TOP STYLES:

REGAL 300 ELECTRONIC STAINLESS STEEL EXAM TABLE SCALE TOP

Features an Regal 300 Electronic Platform Scale, allowing you to effortlessly obtain animal's weight during examinations. See Regal 300 Electronic Scale for scale information. Not available on Mobile Exam Tables.



STAINLESS STEEL TABLE TOP

Top features unique details such as a raised edge on four sides to contain fluids, hemmed sides to eliminate sharp edges and a Thermo-Fused Melamine-finished substrate add up to create a Table Top that is durable and easy to care for.



LAMINATED TOP

Laminated tops feature rounded corners and are finished with high-pressure plastic laminate on top surface and edges. Select a color to coordinate with your exam room.



Premier Exam Tables

PREMIER EXAM TABLES ARE DESIGNED WITH THESE QUALITY FEATURES:

**Premier Exam Table
3 Drawers + Cupboard, Door Hinged Right
Stainless Steel Top**



Drawers

3-D micro-adjustment ensures drawer alignments.

Drawer constructed to handle up to 100 lbs (45.36 kg).

.625 in. (1.59cm) thick
Drawer back and bottom will not sag.

Drawer steel sides features integrated roller slides with baked-on, white epoxy finish.

Positive stop on slide prevent drawer from pulling out of cabinet, a slight upward motion allows easy removal.

Slide holds drawer closed. Drawer will not 'bounce back'.

Slide ensures that the drawer moves quietly, softly, without force.

Drawer front exterior surface and edges are high-pressure plastic laminate.

Drawer front interior is ThermoFused Melamine.

Door

Full-width pulls protect the top edge of doors and drawers.

Doors exterior surface and edges are laminated with high-pressure plastic laminate.

Door's interior is ThermoFused Melamine.

Positive-action, invisible hinges has self-closing mechanism, also holds door open. 3-D micro-adjustment ensures door alignment.

Body

Exterior surfaces and edges are high-pressure plastic laminate.

ThermoFused Melamine protects interior surfaces.

Panels and components are dadoed and rabbeted for tight-fitting joints.

Joints are glued with adhesive impervious to liquids and mechanically-fastened to ensure a solid, sturdy cabinet for professional use.

Toe-space, front and back.

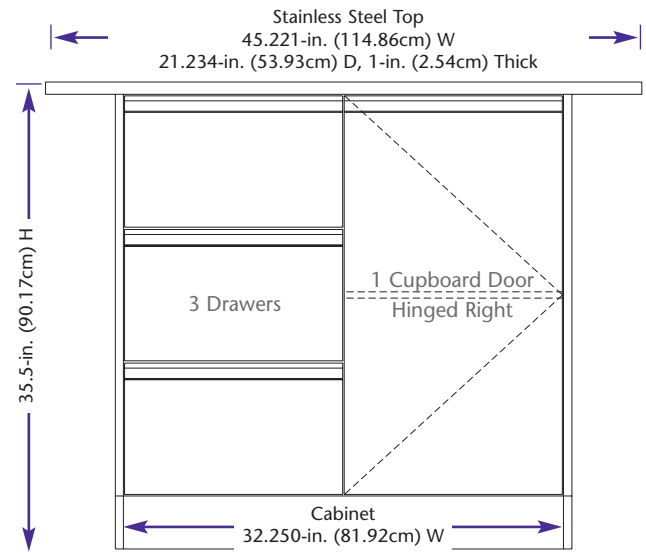
Premier Exam Tables

give your Exam room a custom appearance without the custom cost. Tables feature two full-height sections for drawers, a cupboard or a refrigerator. Cabinets are finished with durable, top-quality, high-pressure laminate. Choose a table from the following illustrations, with the cupboard/drawer/top or refrigerator/

drawer and top combinations you prefer. Tables are offered with either Regal 300 Electronic Platform Scale Top, allowing you to effortlessly obtain animal's weight during examinations or stainless steel top or laminated top.

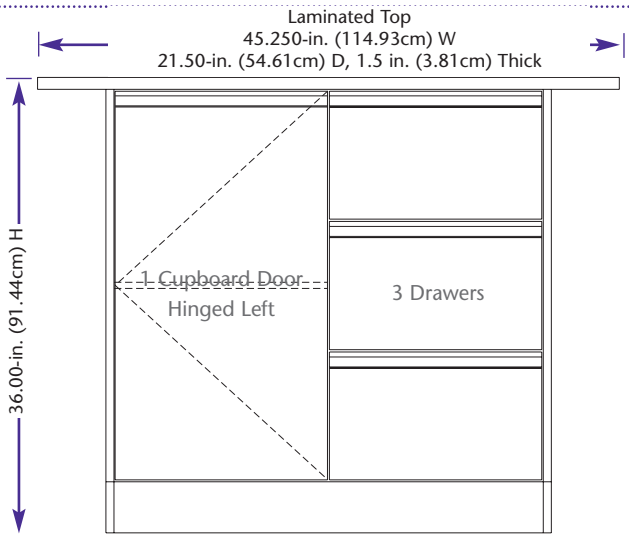
3 Drawers + Cupboard, Door Hinged Right

P/N	TOP STYLE	COLOR	
		CABINET	TOP
L40DA01U0A0E0A2	Stainless Steel	- - - - †	N/A
L40DG01U0A0E0A2	Laminated	- - - - †	- - - - †
L40CA01U0A0E0A2	Regal 300 Electronic Scale*	- - - - †	N/A



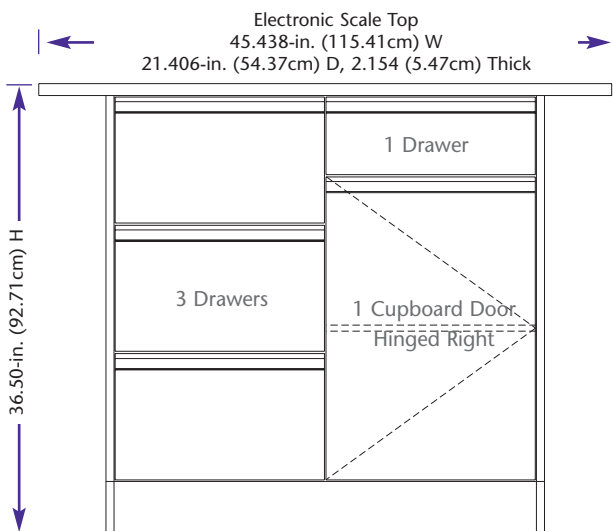
Cupboard, Door Hinged Left + 3 Drawers

P/N	TOP STYLE	COLOR	
		CABINET	TOP
L40DA01D0A0U0A2	Stainless Steel	- - - - †	N/A
L40DG01D0A0U0A2	Laminated	- - - - †	- - - - †
L40CA01D0A0U0A2	Regal 300 Electronic Scale*	- - - - †	N/A



3 Drawers+ 1 Drawer Above Cupboard, Door Hinged Right

P/N	TOP STYLE	COLOR	
		CABINET	TOP
L40DA01U0A0M0A2	Stainless Steel	- - - - †	N/A
L40DG01U0A0M0A2	Laminated	- - - - †	- - - - †
L40CA01U0A0M0A2	Regal 300 Electronic Scale*	- - - - †	N/A



Important: These customer order requirements, in addition to other customer order requirements, must be satisfied prior to the beginning of manufacturing lead time:

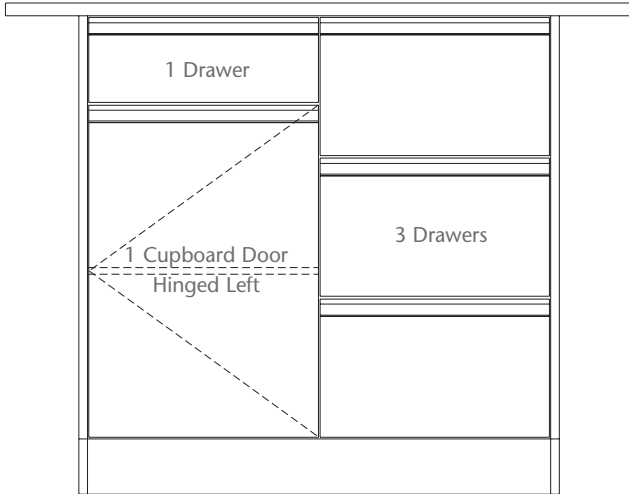
†Specify 4-digit Color code. See Color Selections, Section A, pages 1 & 2 for Color Codes.

*See Electronic Scales Section for information on the Regal 300



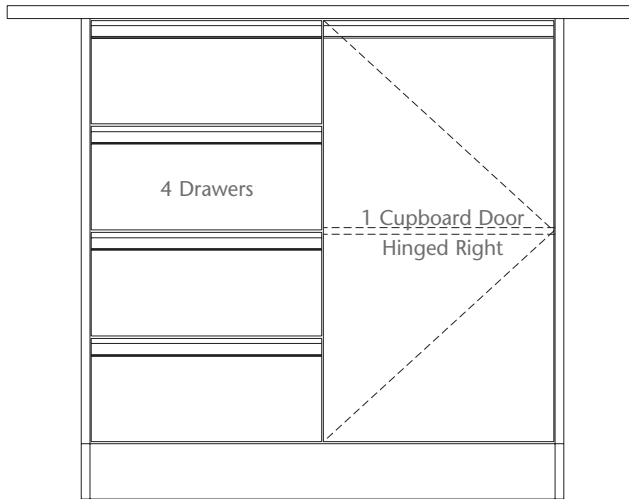
SSCI laminated products are available in SSCI standard laminates, SSCI optional laminates, or Customer selected laminates.

Premier Exam Tables



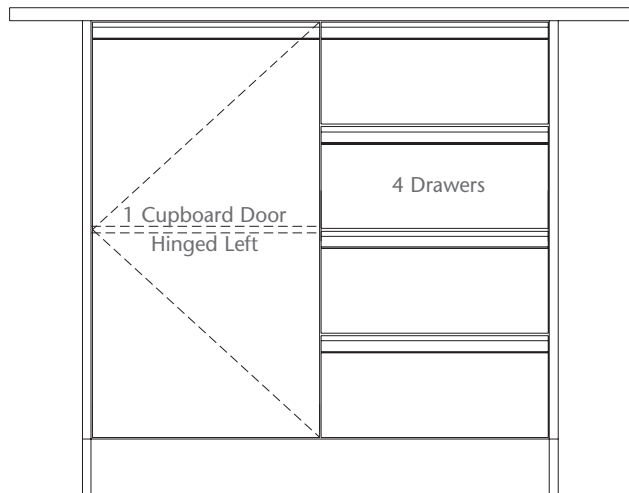
1 Drawer Above Cupboard, Door Hinged Left + 3 Drawers

P/N	TOP STYLE	COLOR	
		CABINET	TOP
L40DA01K0A0U0A2	Stainless Steel	-	†
L40DG01K0A0U0A2	Laminated	-	†
L40CA01K0A0U0A2	Regal 300 Electronic Scale*	-	†



4 Drawers + Cupboard, Door Hinged Right

P/N	TOP STYLE	COLOR	
		CABINET	TOP
L40DA01V0A0E0A2	Stainless Steel	-	†
L40DG01V0A0E0A2	Laminated	-	†
L40CA01V0A0E0A2	Regal 300 Electronic Scale*	-	†



Cupboard, Door Hinged Left + 4 Drawers

P/N	TOP STYLE	COLOR	
		CABINET	TOP
L40DA01D0A0V0A2	Stainless Steel	-	†
L40DG01D0A0V0A2	Laminated	-	†
L40CA01D0A0V0A2	Regal 300 Electronic Scale*	-	†

Important: These customer order requirements, in addition to other customer order requirements, must be satisfied prior to the beginning of manufacturing lead time:

†Specify 4-digit Color code. See Color Selections, Section A, pages 1 & 2 for Color Codes.

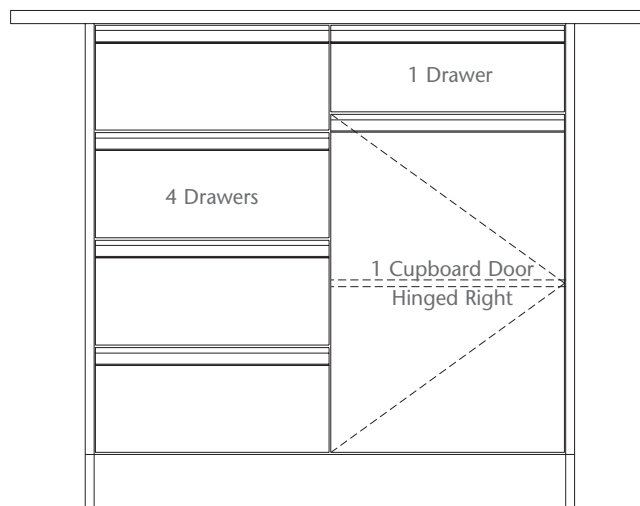
*See Electronic Scales Section for information on the Regal 300



SSCI laminated products are available in SSCI standard laminates, SSCI optional laminates, or Customer selected laminates.

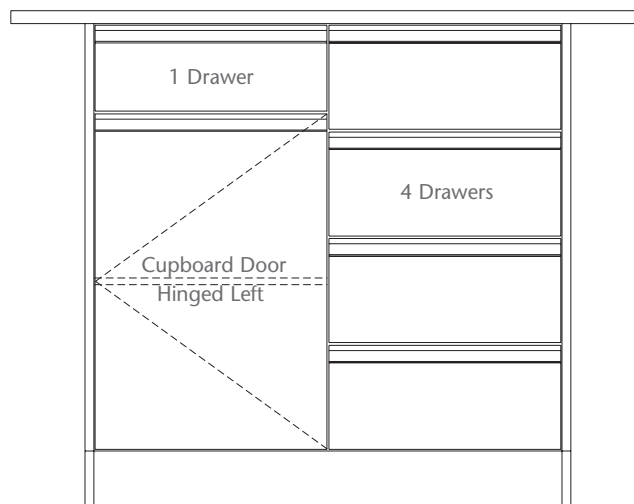
4 Drawers+ 1 Drawer Above Cupboard, Door Hinged Right

P/N	TOP STYLE	COLOR	
		CABINET	TOP
L40DA01V0A0M0A2	Stainless Steel	- - - - †	N/A
L40DG01V0A0M0A2	Laminated	- - - - †	- - - - †
L40CA01V0A0M0A2	Regal 300 Electronic Scale*	- - - - †	N/A



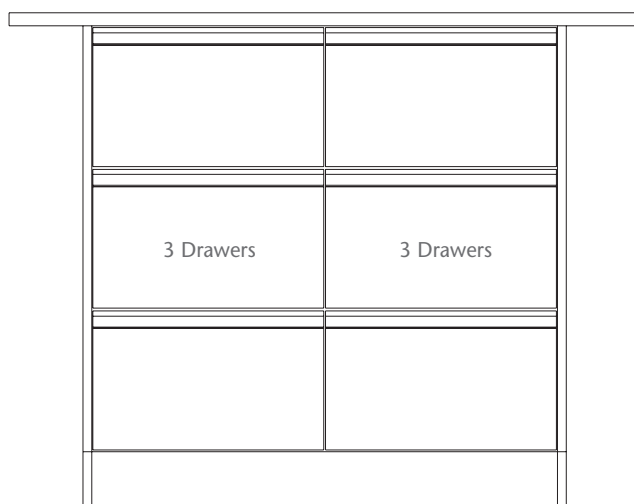
1 Drawer Above Cupboard, Door Hinged Left + 4 Drawers

P/N	TOP STYLE	COLOR	
		CABINET	TOP
L40DA01K0A0V0A2	Stainless Steel	- - - - †	N/A
L40DG01K0A0V0A2	Laminated	- - - - †	- - - - †
L40CA01K0A0V0A2	Regal 300 Electronic Scale*	- - - - †	N/A



3 + 3 Drawers

P/N	TOP STYLE	COLOR	
		CABINET	TOP
L40DA01U0A0U0A2	Stainless Steel	- - - - †	N/A
L40DG01U0A0U0A2	Laminated	- - - - †	- - - - †
L40CA01U0A0U0A2	Regal 300 Electronic Scale*	- - - - †	N/A



Important: These customer order requirements, in addition to other customer order requirements, must be satisfied prior to the beginning of manufacturing lead time:

†Specify 4-digit Color code. See Color Selections, Section A, pages 1 & 2 for Color Codes.

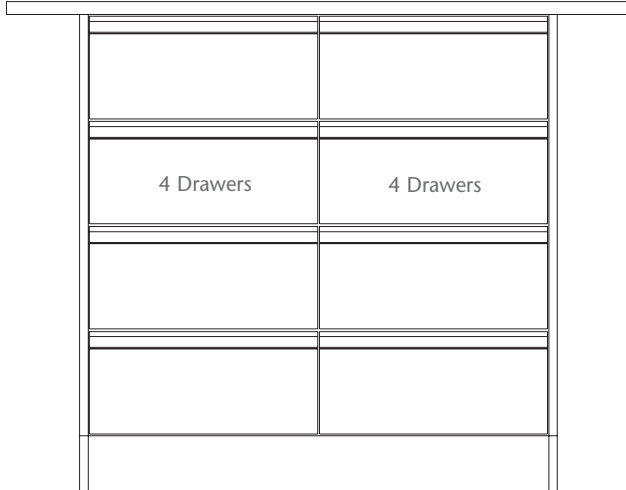
*See Electronic Scales Section for information on the Regal 300



SSCI laminated products are available in SSCI standard laminates, SSCI optional laminates, or Customer selected laminates.

Premier Exam Tables

4 + 4 Drawers



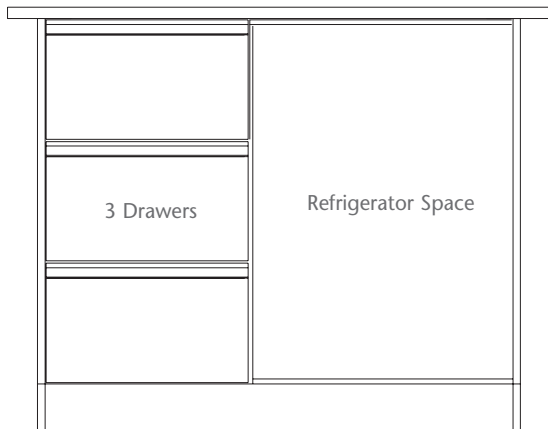
P/N	TOP STYLE	COLOR	
		CABINET	TOP
L40DA01V0A0V0A2	Stainless Steel	- - - - †	N/A
L40DG01V0A0V0A2	Laminated	- - - - †	- - - - †
L40CA01V0A0V0A2	Regal 300 Electronic Scale*	- - - - †	N/A

Premier Refrigerator Exam Tables

hold a compact undercounter refrigerator to let you keep essential supplies right in the Exam room. Available in three- and four-drawer models to meet your needs.



**3 Premier Exam Tables
3 Drawers + Refrigerator Space
Laminated Top**



3 Drawers + Refrigerator Space

P/N	TOP STYLE	COLOR	
		CABINET	TOP
L42DA01U0A0B2A2	Stainless Steel	- - - - †	N/A
L42DG01U0A0B2A2	Laminated	- - - - †	- - - - †
L42CA01U0A0B2A2	Regal 300 Electronic Scale*	- - - - †	N/A

Important: These customer order requirements, in addition to other customer order requirements, must be satisfied prior to the beginning of manufacturing lead time:

†Specify 4-digit Color code. See Color Selections, Section A, pages 1 & 2 for Color Codes.

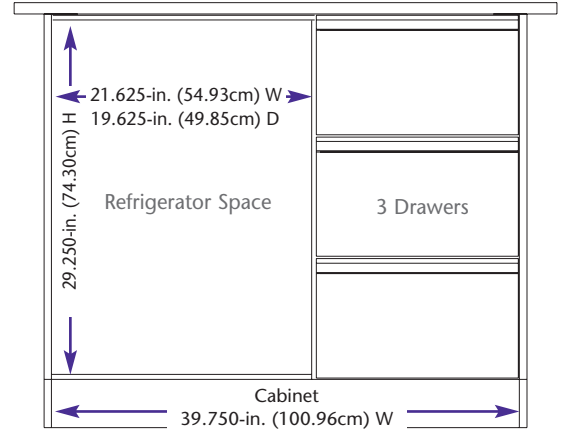
*See Electronic Scales Section for information on the Regal 300



SSCI laminated products are available in SSCI standard laminates, SSCI optional laminates, or Customer selected laminates.

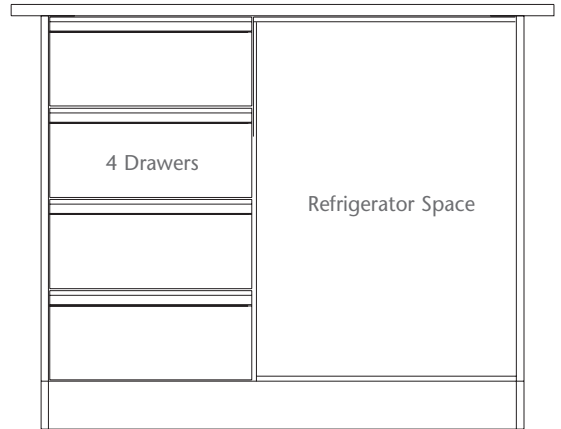
Refrigerator Space + 3 Drawers

P/N	TOP STYLE	COLOR	
		CABINET	TOP
L42DA01B2A0U0A2	Stainless Steel	- - - - †	N/A
L42DG01B2A0U0A2	Laminated	- - - - †	- - - - †
L42CA01B2A0U0A2	Regal 300 Electronic Scale*	- - - - †	N/A



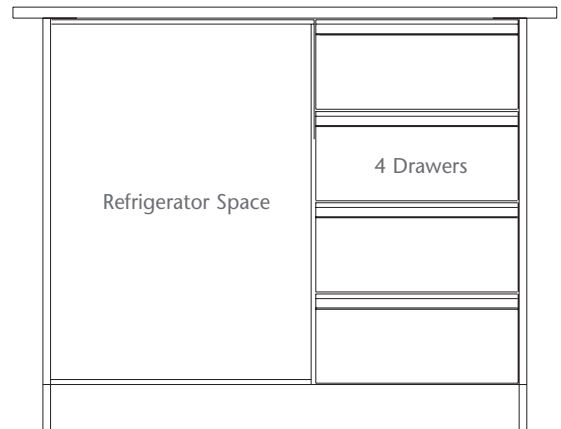
4 Drawers + Refrigerator Space

P/N	TOP STYLE	COLOR	
		CABINET	TOP
L42DA01V0A0B2A2	Stainless Steel	- - - - †	N/A
L42DG01V0A0B2A2	Laminated	- - - - †	- - - - †
L42CA01V0A0B2A2	Regal 300 Electronic Scale*	- - - - †	N/A



Refrigerator Space + 4 Drawers

P/N	TOP STYLE	COLOR	
		CABINET	TOP
L42DA01B2A0V0A2	Stainless Steel	- - - - †	N/A
L42DG01B2A0V0A2	Laminated	- - - - †	- - - - †
L42CA01B2A0V0A2	Regal 300 Electronic Scale*	- - - - †	N/A



Important: These customer order requirements, in addition to other customer order requirements, must be satisfied prior to the beginning of manufacturing lead time:

†Specify 4-digit Color code. See Color Selections, Section A, pages 1 & 2 for Color Codes.

*See Electronic Scales Section for information on the Regal 300



SSCI laminated products are available in SSCI standard laminates, SSCI optional laminates, or Customer selected laminates.

Premier on Stainless Steel Legs Exam Tables

Premier Exam Tables on Stainless Steel Legs
3 Drawers + Cupboard, Door Hinged Right
Laminated Top



Legs

Stainless steel, Type 304, satin-finished, 1-in. (2.54cm) square legs provides stable support.

Adjustable levelers keep table steady on uneven floors.



Premier Mobile Exam Tables
3 Drawers + Cupboard, Door Hinged right
Stainless Steel Top

Base

Swivel Casters, 5-in. (12.70cm) dia. wheel, 2 with wheel brake

Stainless steel, Type 304, satin-finished, 1-in. (2.54cm) square frame provides stable support.

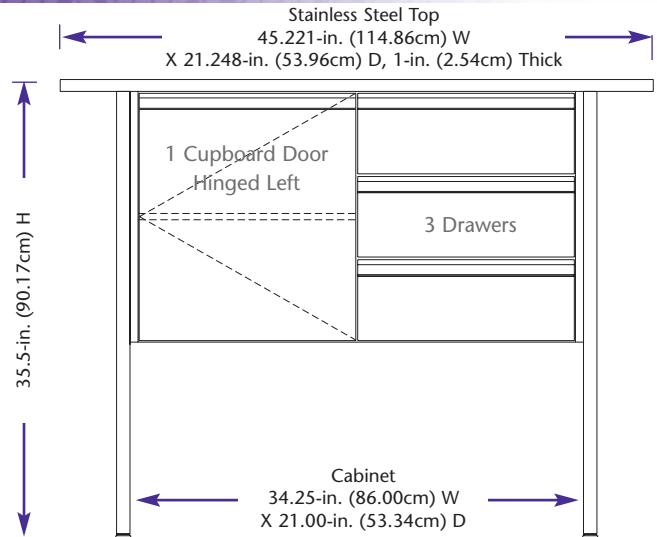
Premier Exam Tables on Stainless Steel Legs

These Exam Tables feature a two-section laminated cabinet supported by 1-in. (2.54cm) square stainless steel tubular legs with levelers or legs with casters. Cabinets are finished with durable, top-quality, high-pressure laminate. Choose a table from the following illustrations, with the cupboard/drawer and top combinations you prefer. Tables are offered with either stainless steel or laminated top.

Premier on Stainless Steel Legs Exam Tables

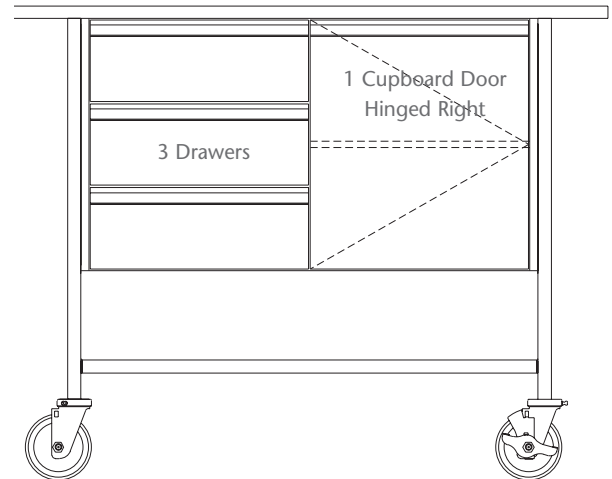
Cupboard, Door Hinged Left + 3 Drawers

P/N	TOP STYLE	COLOR	
		CABINET	TOP
ON STAINLESS STEEL LEGS TABLE			
L50DA01D0A0U0A2	Stainless Steel	- - - - †	N/A
L50DG01D0A0U0A2	Laminated	- - - - †	- - - - †
MOBILE TABLE			
L51DA01D0A0U0A2	Stainless Steel	- - - - †	N/A
L51DG01D0A0U0A2	Laminated	- - - - †	- - - - †



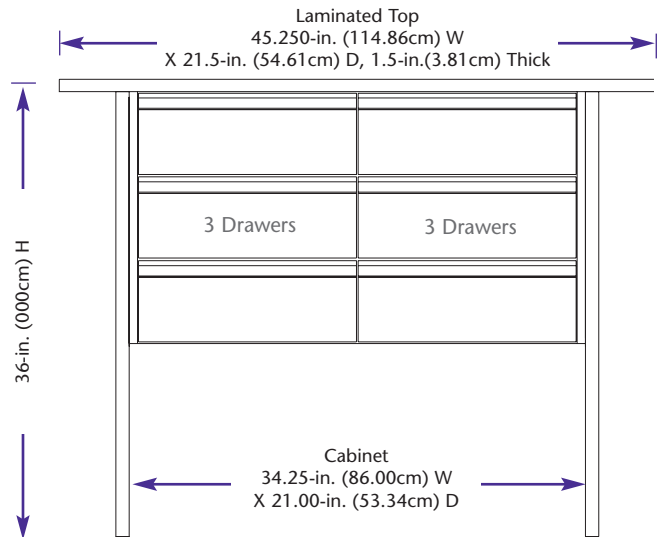
3 Drawers + Cupboard, Door Hinged Right

P/N	TOP STYLE	COLOR	
		CABINET	TOP
ON STAINLESS STEEL LEGS TABLE			
L50DA01U0A0E0A2	Stainless Steel	- - - - †	N/A
L50DG01U0A0E0A2	Laminated	- - - - †	- - - - †
MOBILE TABLE			
L51DA01U0A0E0A2	Stainless Steel	- - - - †	N/A
L51DG01U0A0E0A2	Laminated	- - - - †	- - - - †



3 + 3 Drawers

P/N	TOP STYLE	COLOR	
		CABINET	TOP
ON STAINLESS STEEL LEGS TABLE			
L50DA01U0A0U0A2	Stainless Steel	- - - - †	N/A
L50DG01U0A0U0A2	Laminated	- - - - †	- - - - †
MOBILE TABLE			
L51DA01U0A0U0A2	Stainless Steel	- - - - †	N/A
L51DG01U0A0U0A2	Laminated	- - - - †	- - - - †



Important: These customer order requirements, in addition to other customer order requirements, must be satisfied prior to the beginning of manufacturing lead time:
†Specify 4-digit Color code. See Color Selections, Section A, pages 1 & 2 for Color Codes.



SSCI laminated products are available in SSCI standard laminates, SSCI optional laminates, or Customer selected laminates.

Accessories For Premier Exam Table



Corner Edge Protectors

Keep your laminated Treatment Table looking brand-new with our stainless steel Corner Edge Protectors. They install easily on laminated cabinet corners to help eliminate laminate chips and cracks caused by bumping or rubbing against the cabinet. Packaged in sets of two.

P/N	FITS TABLE STYLE
12811-00-AAAAAA	Fits Premier Exam Tables

Pull-out Trays

For greater convenience, replace the cupboard's existing adjustable shelf with Pull-out Trays. Our uniquely-designed rollers/slides ensure that the Pull-out moves quietly, smoothly and with little effort. Typically, two trays are installed in each cupboard; one at the bottom and one midway. Customer-installed, Pull-out Trays for laminated products are white to match the interior of the cupboard.



Each Pull-out Tray is Sold Separately

P/N	DESCRIPTION
DRPAEEAACJAODB	Pull-out Tray, 3.625 in. (9.21cm) H; fits Premier Exam Tables

Classic and Premier Exam Table Accessories

Black Vinyl Ribbed Mat

Add a mat to your Exam Table to give animals surer footing and greater security. Designed to fit on Exam Table's top, leaving the raised edge uncovered to catch fluids and spills. Removes easily for cleaning.



P/N	FITS TABLE STYLE
12800-00-GNAACV	Fits Classic, Premier and Longitudinal Wall-Mounted Exam Tables
12800-00-IJAACV	Fits Classic Lateral Wall-Mounted Exam Tables

Tie Downs

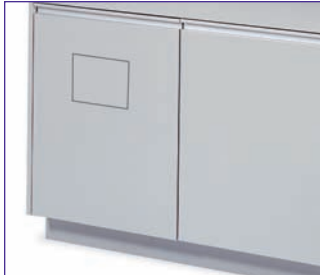
Easy-to-use add-on system installs quickly to help you hold animals safe and secure during treatment. Includes set of four tie-downs.



P/N	DESCRIPTION
12805-00-AAAAAA	Fits Stainless Steel Top
12806-00-AAAAAA	Fits Laminated Tops

SPECIFY OPTIONS

When discussing your Imperial Modular Cabinetry with SSCI's representatives, be sure to select any of the options below that you would like incorporated into your cabinets.



Specify a Towel Drop for most Cabinet Doors:

A convenient 6-in. wide x 6-in. high (15.24cm x 15.24cm) Towel Drop may be added to most Cabinet Doors. Towel Drops may be specified in cabinet doors: hinged left, hinged right and the left or right panel of pairs of doors.

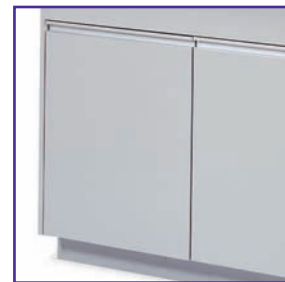
Specify a Privacy Key Lock for a Cabinet:

Locks are designed for privacy, not security.

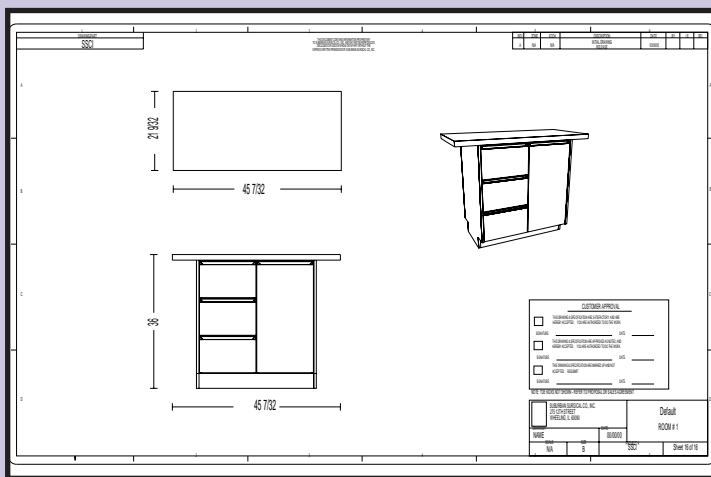
Choose one of the options below:

For each of the table's two vertical sections:

- One lock for each vertical section of drawers
- One lock for each vertical section with door(s)
- Two locks for each vertical section with drawer above door(s)



FOR EVERY LAMINATED PRODUCT PURCHASE, SSCI CREATES A DRAWING TO ENSURE CUSTOMER'S SATISFACTION



SSCI creates an Approval Drawing for each laminated product ordered. These detailed drawings of your laminated product illustrates the product and specifies your laminate choice. If you choose to change your choice of laminate, do not sign the existing Approval Drawing. Contact your SSCI representative, so that a new Approval Drawing can be created.

All laminated products are non-stocked, made specifically per your specifications. Once SSCI has received the signed Approval Drawing the order is non-cancelable. In addition to other customer requirements, the Final Approval Drawings must be signed and received by SSCI prior to the beginning of manufacturing lead time.