

Laminated and Stainless Steel Treatment Tables

“LEADER IN ANIMAL CARE PRODUCTS FOR OVER 60 YEARS”



SSCI

SUBURBAN SURGICAL Co., INC.

275 Twelfth Street, Wheeling, IL 60090

All intellectual material, including the text, graphics and other components of this catalog are Copyrighted by SSCI. Any use or duplication of these intellectual materials, without written consent by SSCI, is strictly forbidden.

Catalog No. 702488-0308

For Product Information Call TOLL-FREE 1-800-323-7366 • (847) 537-9320 • Fax (847) 537-9061
Hours: 8:30am - 5:00pm CST Monday - Friday
Visit our website at: www.suburbansurgical.com

LAMINATED AND STAINLESS STEEL TREATMENT TABLES

SELECT A IMPERIAL LAMINATED OR REGAL STAINLESS STEEL TREATMENT TABLE TO KEEP SUPPLIES ORGANIZED AND CLOSE TO HAND



Imperial Treatment Table
2 Cupboards with Hinged Doors or Cupboard
with Pair of Hinged Doors + 4 Drawers, Laminated Island Top

Now every SSCI recessed-end and full cabinet Treatment Table is available in both **Imperial** laminated or new **Regal** stainless steel models. SSCI's **Imperial** Treatment Tables coordinate with our Aristocrat Modular Cabinetry and matching Utility Columns; **Regal** Treatment Tables coordinate with our new **Regal** Modular Cabinetry and matching Utility Columns in appearance and both match every construction detail of their cabinet counterpart. Treatment Tables are available in two widths; 48-in. (121.92cm) and 60-in. (152.40cm), and are divided into 3 sections. Full Cabinet Treatment Tables include storage space in all 3 sec-

tions in a variety of drawer/cupboard combinations and Recessed-End Treatment Tables use one section on either the left or the right for knee space. Tops are available in either stainless steel or laminated models, in Island or Abutted-styles. Island-style top overhangs both ends of the cabinet for standing alone. Abutted-style is flush with the cabinet on one end for abutting against a wall. Or create a multi-station Prep/Treatment Center by abutting Treatment Table to cabinet, another table, or a utility column. See Prep/Treatment Centers, Section 12.

There are 5 steps to selecting the perfect treatment Table for your facility.

Select from illustrations on following pages :

- 1) Recessed-End or Full Cabinet-Style Treatment Table
- 2) Drawers and/or cupboard combinations
- 3) **Imperial** laminated or **Regal** stainless steel-model Treatment Table
- 4) 48-in. (121.92cm) or 60-in. (152.40cm) wide cabinet
- 5) Stainless steel or Laminated; in Island-style or Abutted-style Table Top



**Regal Stainless Steel Treatment Table
2 Cupboards with Hinged Doors or Cupboard
with Pair of Hinged Doors + 4 Drawers, Laminated Island Top**

Imperial Treatment Table body panels are constructed of 45-lb. industrial-grade substrate, panels are machined on a CNC machine for accuracy. Panels are dadoed and rabbeted for tight-fitting joints. Joints are glued with adhesive impervious to liquids and mechanically-fastened to ensure a solid, sturdy cabinet.

All cabinet interiors are finished with Thermo-Fused Melamine, making them water, odor and chemical-resistant.

Drawer's steel sides feature integrated roller slides with baked-on, white epoxy finish. Drawer's back/bottom are .625-in. thick; open/close easily with 100 lb. load. 3D micro-adjustment ensures drawer alignment.

Door's positive-action, invisible hinges have self-closing mechanism, also holds door open. 3D micro-adjustment ensures door alignment.

Doors and drawer fronts have full width Aluminum Pulls.

All finished, exterior surfaces including the body's edges, drawer and cupboard door edges are laminated with high-pressure plastic laminate, available in SSCI Standard colors, or SSCI optional colors or choose from a spectrum of customer-selected colors to blend with your décor.

Regal Treatment Table body panels are constructed of die-formed stainless steel, panels are formed on a CNC machine for accuracy. Panels are engineered for tight-fitting joints. Joints are welded and mechanically-fastened to ensure a solid, sturdy cabinet. All cabinet interiors are stainless steel, making them impervious to water and absorbing odors.

Drawer's front is double-wall stainless steel construction with a full-width pull incorporated into the design. Welded, one-piece drawer body is stainless steel with roller telescoping slides allow drawers to fully open/close easily with 100 lb. load.

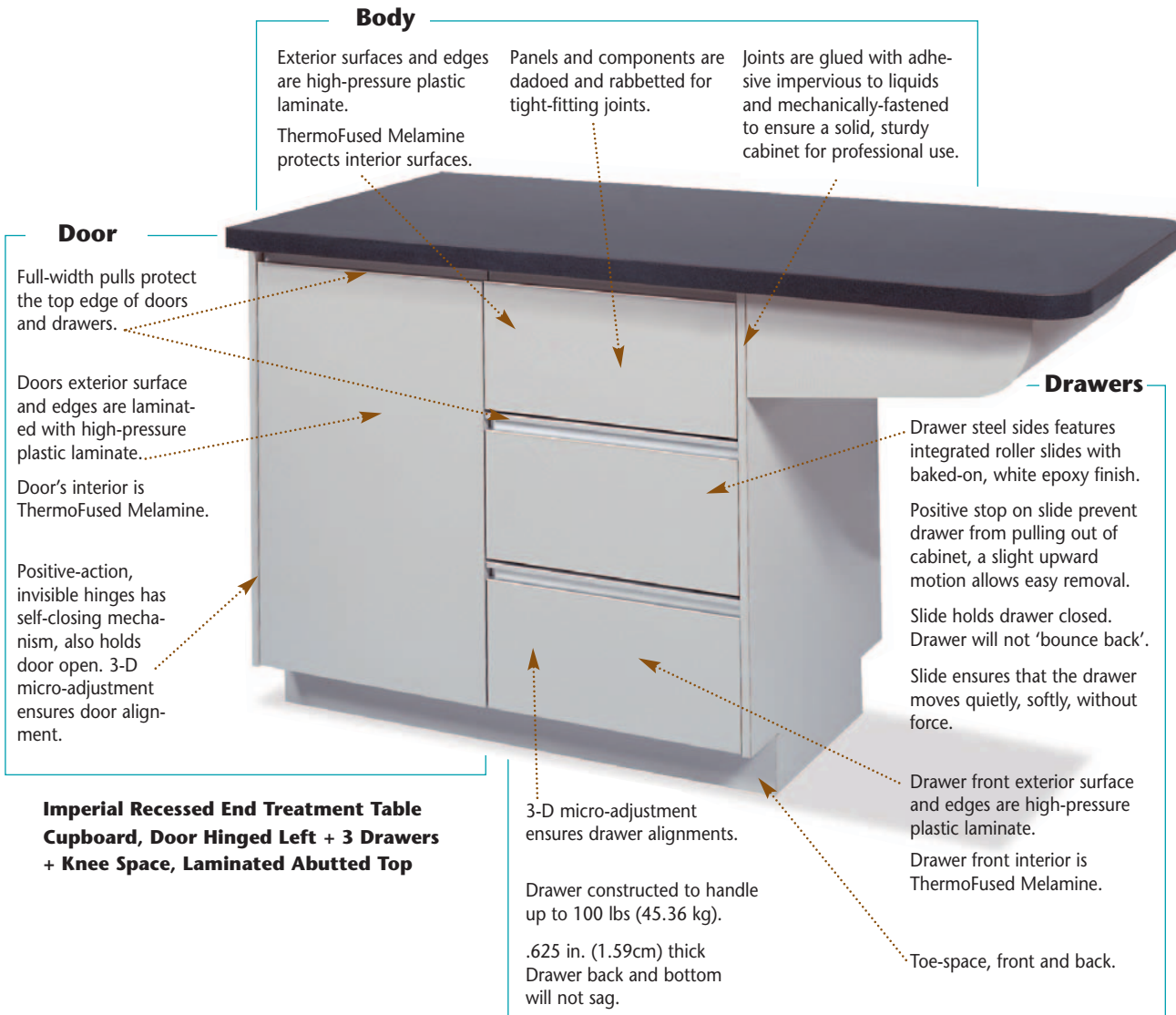
Doors are double-wall stainless steel construction with a full-width pull incorporated into the design and features positive-action invisible hinges which have self-closing mechanism, also holds door open. 3D micro-adjustment ensures door alignment.

Doors and drawer fronts have full width Stainless Steel Pulls.

All stainless steel exterior/interior is durable and easy to clean, satin finish.

Imperial Treatment Tables/Tops

IMPERIAL LAMINATED CABINET EXAM TABLES INCLUDE THESE FEATURES:



All SSCI Treatment Table Tops are available in Abutted or Island-Style and in stainless steel or laminated models. That makes it easy to pick the perfect Top for your needs.

Abutted-Style Top — Abutted-style is flush with the cabinet on one end for use when abutting against a wall, or creating a multi-station Prep/Treatment Center by abutting Treatment Table to cabinet, another table, or a utility column. See Prep/Treatment Centers, Section 12.



REGAL STAINLESS STEEL CABINET EXAM TABLES INCLUDES THESE FEATURES:

**New Product
Check with SSCI
for Picture**

**Regal Treatment Table
2 Cupboards with Hinged Doors or Cupboard
with Pair of Hinged Doors + 4 Drawers, Stainless Steel Island Top**

Island-Style Top — Ideal for placement where no abutment is needed or standing alone. All four corners are radiused for a finished look. Top overhangs cabinet on front, back and both ends.

Stainless Steel, Island-Style Top shown



Top overhangs both ends of cabinet with radius corners.

Imperial/Regal Recessed End Treatment Tables



**Imperial Recessed End Treatment Table
Cupboard, Door Hinged Left + 3 Drawers +
Knee Space
Laminated Abutted Top**



New Product Check with SSCI for Picture

**Regal recessed end treatment table
cupboard, door hinged left + 3 drawers + knee space
stainless steel island top**

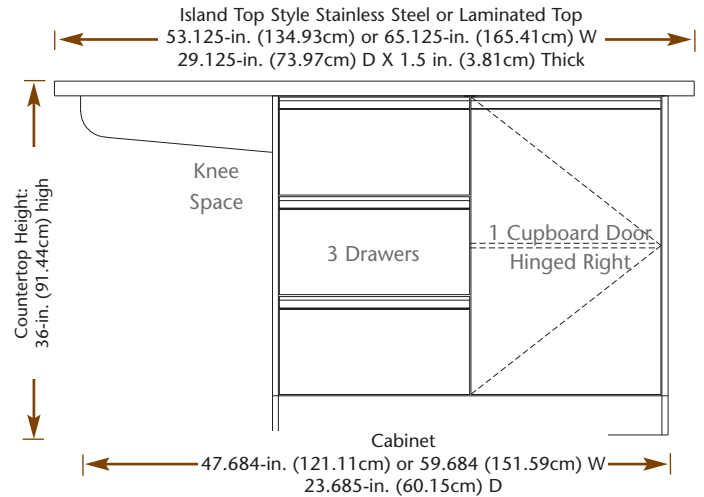
Imperial/Regal Recessed End Treatment tables

All Recessed-end Treatment Tables are divided into 3 sections. Two sections are storage space in a variety of drawer/cupboard combinations and a recessed knee space uses one section on the left or right end.

We offer these Tables with your choice of a durable, top-quality, high-pressure laminated **Imperial** Cabinet, or an all stainless steel **Regal** Cabinet for unsurpassed durability. **Imperial** laminated Tables are available in SSCI Standard colors, or SSCI optional colors or choose from a spectrum of customer-selected colors to blend with your décor. Tops are available in either stainless steel or laminated models, in Island or Abutted-styles. Island-style top overhangs both ends of the cabinet for standing alone. Abutted-style is flush with the cabinet on one end for abutting against a wall. Or create a multi-station Prep/Treatment Center by abutting Treatment Table to cabinet, another table, or a utility column. See Prep/Treatment Centers, Section 12.

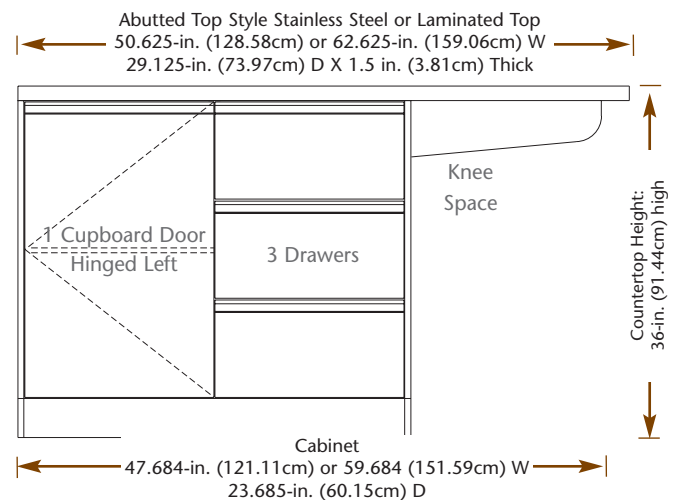
Recessed End Treatment Tables

Knee Space + 3 Drawers + Cupboard, Door Hinged Right



P/N	TOP STYLE	COLOR	
		CABINET	TOP
IMPERIAL LAMINATED CABINET			
48-in. (121.92cm) wide Laminated Cabinet			
L60DA01B1U0E0A3	SS Island Top	- - - - †	N/A
L60DG01B1U0E0A3	Laminated Island Top	- - - - †	- - - - †
L60HA01B1U0E0A3	SS Abutted Top	- - - - †	N/A
L60HG01B1U0E0A3	Laminated Abutted Top	- - - - †	- - - - †
60-in. (152.40cm) wide Laminated Cabinet			
L60DA01B1U0E0A5	SS Island Top	- - - - †	N/A
L60DG01B1U0E0A5	Laminated Island Top	- - - - †	- - - - †
L60HA01B1U0E0A5	SS Abutted Top	- - - - †	N/A
L60HG01B1U0E0A5	Laminated Abutted Top	- - - - †	- - - - †
REGAL STAINLESS STEEL CABINET			
48-in. (121.92cm) wide Stainless Steel Cabinet			
Y60DA01B1U0E0A3	SS Island Top	N/A	N/A
Y60DG01B1U0E0A3	Laminated Island Top	N/A	- - - - †
Y60HA01B1U0E0A3	SS Abutted Top	N/A	N/A
Y60HG01B1U0E0A3	Laminated Abutted Top	N/A	- - - - †
60-in. (152.40cm) wide Stainless Steel Cabinet			
Y60DA01B1U0E0A5	SS Island Top	N/A	N/A
Y60DG01B1U0E0A5	Laminated Island Top	N/A	- - - - †
Y60HA01B1U0E0A5	SS Abutted Top	N/A	N/A
Y60HG01B1U0E0A5	Laminated Abutted Top	N/A	- - - - †

Cupboard, Door Hinged Left + 3 Drawers + Knee Space



P/N	TOP STYLE	COLOR	
		CABINET	TOP
IMPERIAL LAMINATED CABINET			
48-in. (121.92cm) wide Laminated Cabinet			
L60DA01D0U0B1A3	SS Island Top	- - - - †	N/A
L60DG01D0U0B1A3	Laminated Island Top	- - - - †	- - - - †
L60HA01D0U0B1A3	SS Abutted Top	- - - - †	N/A
L60HG01D0U0B1A3	Laminated Abutted Top	- - - - †	- - - - †
60-in. (152.40cm) wide Laminated Cabinet			
L60DA01D0U0B1A5	SS Island Top	- - - - †	N/A
L60DG01D0U0B1A5	Laminated Island Top	- - - - †	- - - - †
L60HA01D0U0B1A5	SS Abutted Top	- - - - †	N/A
L60HG01D0U0B1A5	Laminated Abutted Top	- - - - †	- - - - †
REGAL STAINLESS STEEL CABINET			
48-in. (121.92cm) wide Stainless Steel Cabinet			
Y60DA01D0U0B1A3	SS Island Top	N/A	N/A
Y60DG01D0U0B1A3	Laminated Island Top	N/A	- - - - †
Y60HA01D0U0B1A3	SS Abutted Top	N/A	N/A
Y60HG01D0U0B1A3	Laminated Abutted Top	N/A	- - - - †
60-in. (152.40cm) wide Stainless Steel Cabinet			
Y60DA01D0U0B1A5	SS Island Top	N/A	N/A
Y60DG01D0U0B1A5	Laminated Island Top	N/A	- - - - †
Y60HA01D0U0B1A5	SS Abutted Top	N/A	N/A
Y60HG01D0U0B1A5	Laminated Abutted Top	N/A	- - - - †

Important: These customer order requirements, in addition to other customer order requirements, must be satisfied prior to the beginning of manufacturing lead time:

† Specify 4-digit Color code. See Color Selections, Section A, pages 1 & 2 for Color Codes.



SSCI laminated products are available in SSCI standard laminates, SSCI optional laminates, or Customer selected laminates.

For Product Information Call TOLL-FREE 1-800-323-7366 • (847) 537-9320 • Fax (847) 537-9061

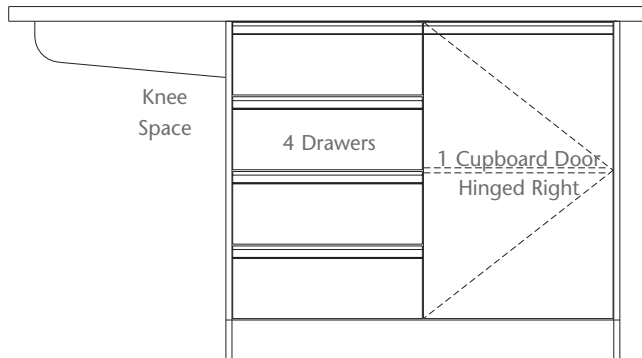
Hours: 8:30am - 5:00pm CST Monday - Friday

Visit our website at: www.suburbansurgical.com

Catalog No. 702488 12/20/07

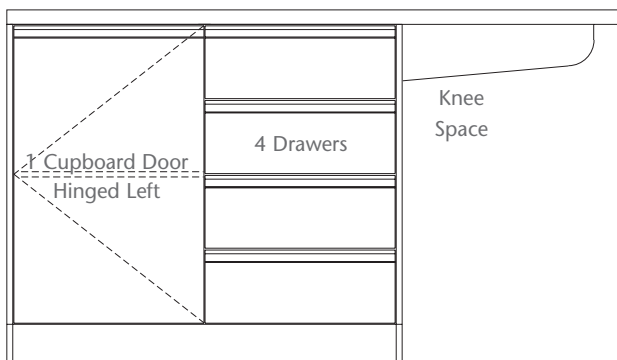
Recessed End Treatment Tables

Knee Space + 4 Drawers + Cupboard, Door Hinged Right



P/N	TOP STYLE	COLOR	
		CABINET	TOP
IMPERIAL LAMINATED CABINET			
48-in. (121.92cm) wide Laminated Cabinet			
L60DA01B1V0E0A3	SS Island Top	-	† N/A
L60DG01B1V0E0A3	Laminated Island Top	-	† -
L60HA01B1V0E0A3	SS Abutted Top	-	† N/A
L60HG01B1V0E0A3	Laminated Abutted Top	-	† -
60-in. (152.40cm) wide Laminated Cabinet			
L60DA01B1V0E0A5	SS Island Top	-	† N/A
L60DG01B1V0E0A5	Laminated Island Top	-	† -
L60HA01B1V0E0A5	SS Abutted Top	-	† N/A
L60HG01B1V0E0A5	Laminated Abutted Top	-	† -
REGAL STAINLESS STEEL CABINET			
48-in. (121.92cm) wide Stainless Steel Cabinet			
Y60DA01B1V0E0A3	SS Island Top	N/A	N/A
Y60DG01B1V0E0A3	Laminated Island Top	N/A	-
Y60HA01B1V0E0A3	SS Abutted Top	N/A	N/A
Y60HG01B1V0E0A3	Laminated Abutted Top	N/A	-
60-in. (152.40cm) wide Stainless Steel Cabinet			
Y60DA01B1V0E0A5	SS Island Top	N/A	N/A
Y60DG01B1V0E0A5	Laminated Island Top	N/A	-
Y60HA01B1V0E0A5	SS Abutted Top	N/A	N/A
Y60HG01B1V0E0A5	Laminated Abutted Top	N/A	-

Cupboard, Door Hinged Left + 4 Drawers + Knee Space



P/N	TOP STYLE	COLOR	
		CABINET	TOP
IMPERIAL LAMINATED CABINET			
48-in. (121.92cm) wide Laminated Cabinet			
L60DA01D0V0B1A3	SS Island Top	-	† N/A
L60DG01D0V0B1A3	Laminated Island Top	-	† -
L60HA01D0V0B1A3	SS Abutted Top	-	† N/A
L60HG01D0V0B1A3	Laminated Abutted Top	-	† -
60-in. (152.40cm) wide Laminated Cabinet			
L60DA01D0V0B1A5	SS Island Top	-	† N/A
L60DG01D0V0B1A5	Laminated Island Top	-	† -
L60HA01D0V0B1A5	SS Abutted Top	-	† N/A
L60HG01D0V0B1A5	Laminated Abutted Top	-	† -
REGAL STAINLESS STEEL CABINET			
48-in. (121.92cm) wide Stainless Steel Cabinet			
Y60DA01D0V0B1A3	SS Island Top	N/A	N/A
Y60DG01D0V0B1A3	Laminated Island Top	N/A	-
Y60HA01D0V0B1A3	SS Abutted Top	N/A	N/A
Y60HG01D0V0B1A3	Laminated Abutted Top	N/A	-
60-in. (152.40cm) wide Stainless Steel Cabinet			
Y60DA01D0V0B1A5	SS Island Top	N/A	N/A
Y60DG01D0V0B1A5	Laminated Island Top	N/A	-
Y60HA01D0V0B1A5	SS Abutted Top	N/A	N/A
Y60HG01D0V0B1A5	Laminated Abutted Top	N/A	-

Important: These customer order requirements, in addition to other customer order requirements, must be satisfied prior to the beginning of manufacturing lead time:

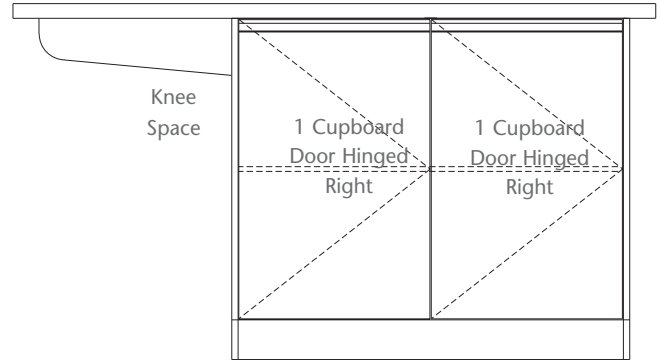
†Specify 4-digit Color code. See Color Selections, Section A, pages 1 & 2 for Color Codes.



SSCI laminated products are available in SSCI standard laminates, SSCI optional laminates, or Customer selected laminates.

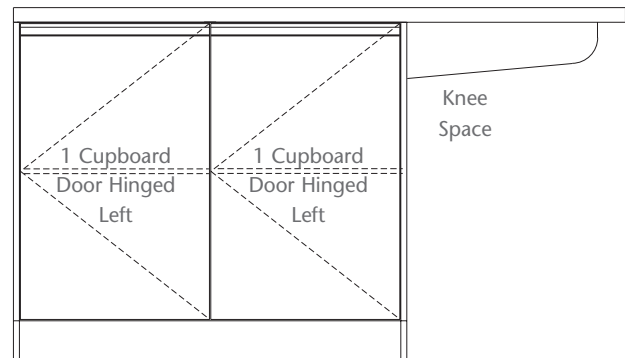
Recessed End Treatment Tables

Knee Space + Cupboard, Door Hinged Right + Cupboard, Door Hinged Right



P/N	TOP STYLE	COLOR	
		CABINET	TOP
IMPERIAL LAMINATED CABINET			
48-in. (121.92cm) wide Laminated Cabinet			
L60DA01B1E0E0A3	SS Island Top	- - - - †	N/A
L60DG01B1E0E0A3	Laminated Island Top	- - - - †	- - - - †
L60HA01B1E0E0A3	SS Abutted Top	- - - - †	N/A
L60HG01B1E0E0A3	Laminated Abutted Top	- - - - †	- - - - †
60-in. (152.40cm) wide Laminated Cabinet			
L60DA01B1E0E0A5	SS Island Top	- - - - †	N/A
L60DG01B1E0E0A5	Laminated Island Top	- - - - †	- - - - †
L60HA01B1E0E0A5	SS Abutted Top	- - - - †	N/A
L60HG01B1E0E0A5	Laminated Abutted Top	- - - - †	- - - - †
REGAL STAINLESS STEEL CABINET			
48-in. (121.92cm) wide Stainless Steel Cabinet			
Y60DA01B1E0E0A3	SS Island Top	N/A	N/A
Y60DG01B1E0E0A3	Laminated Island Top	N/A	- - - - †
Y60HA01B1E0E0A3	SS Abutted Top	N/A	N/A
Y60HG01B1E0E0A3	Laminated Abutted Top	N/A	- - - - †
60-in. (152.40cm) wide Stainless Steel Cabinet			
Y60DA01B1E0E0A5	SS Island Top	N/A	N/A
Y60DG01B1E0E0A5	Laminated Island Top	N/A	- - - - †
Y60HA01B1E0E0A5	SS Abutted Top	N/A	N/A
Y60HG01B1E0E0A5	Laminated Abutted Top	N/A	- - - - †

Cupboard, Door Hinged Left + Cupboard Door Hinged Left + Knee Space



P/N	TOP STYLE	COLOR	
		CABINET	TOP
IMPERIAL LAMINATED CABINET			
48-in. (121.92cm) wide Laminated Cabinet			
L60DA01D0D0B1A3	SS Island Top	- - - - †	NA
L60DG01D0D0B1A3	Laminated Island Top	- - - - †	- - - - †
L60HA01D0D0B1A3	SS Abutted Top	- - - - †	NA
L60HG01D0D0B1A3	Laminated Abutted Top	- - - - †	- - - - †
60-in. (152.40cm) wide Laminated Cabinet			
L60DA01D0D0B1A5	SS Island Top	- - - - †	NA
L60DG01D0D0B1A5	Laminated Island Top	- - - - †	- - - - †
L60HA01D0D0B1A5	SS Abutted Top	- - - - †	NA
L60HG01D0D0B1A5	Laminated Abutted Top	- - - - †	- - - - †
REGAL STAINLESS STEEL CABINET			
48-in. (121.92cm) wide Stainless Steel Cabinet			
Y60DA01D0D0B1A3	SS Island Top	N/A	NA
Y60DG01D0D0B1A3	Laminated Island Top	N/A	- - - - †
Y60HA01D0D0B1A3	SS Abutted Top	N/A	NA
Y60HG01D0D0B1A3	Laminated Abutted Top	N/A	- - - - †
60-in. (152.40cm) wide Stainless Steel Cabinet			
Y60DA01D0D0B1A5	SS Island Top	N/A	NA
Y60DG01D0D0B1A5	Laminated Island Top	N/A	- - - - †
Y60HA01D0D0B1A5	SS Abutted Top	N/A	NA
Y60HG01D0D0B1A5	Laminated Abutted Top	N/A	- - - - †

Important: These customer order requirements, in addition to other customer order requirements, must be satisfied prior to the beginning of manufacturing lead time:

†Specify 4-digit Color code. See Color Selections, Section A, pages 1 & 2 for Color Codes.



SSCI laminated products are available in SSCI standard laminates, SSCI optional laminates, or Customer selected laminates.

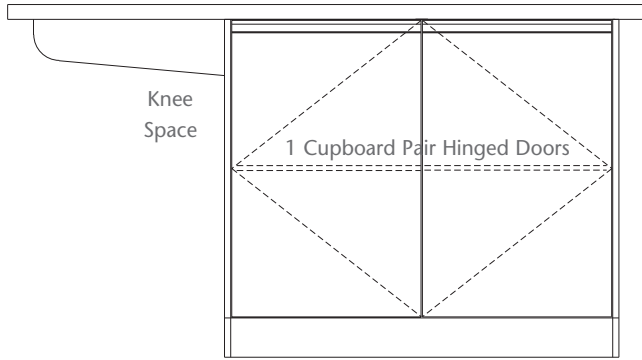
For Product Information Call TOLL-FREE 1-800-323-7366 • (847) 537-9320 • Fax (847) 537-9061

Hours: 8:30am - 5:00pm CST Monday - Friday

Visit our website at: www.suburbansurgical.com

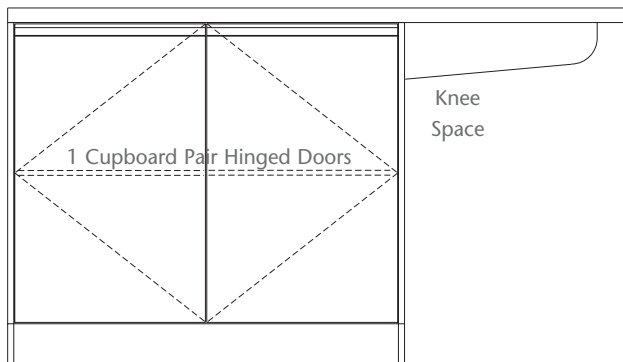
Recessed End Treatment Tables

Knee Space + Cupboard with Pair of Hinged Doors



P/N	TOP STYLE	COLOR	
		CABINET	TOP
IMPERIAL LAMINATED CABINET			
48-in. (121.92cm) wide Laminated Cabinet			
L60DA01B1A0G0A3	SS Island Top	-	† N/A
L60DG01B1A0G0A3	Laminated Island Top	-	† -
L60HA01B1A0G0A3	SS Abutted Top	-	† N/A
L60HG01B1A0G0A3	Laminated Abutted Top	-	† -
60-in. (152.40cm) wide Laminated Cabinet			
L60DA01B1A0G0A5	SS Island Top	-	† N/A
L60DG01B1A0G0A5	Laminated Island Top	-	† -
L60HA01B1A0G0A5	SS Abutted Top	-	† N/A
L60HG01B1A0G0A5	Laminated Abutted Top	-	† -
REGAL STAINLESS STEEL CABINET			
48-in. (121.92cm) wide Stainless Steel Cabinet			
Y60DA01B1A0G0A3	SS Island Top	N/A	N/A
Y60DG01B1A0G0A3	Laminated Island Top	N/A	-
Y60HA01B1A0G0A3	SS Abutted Top	N/A	N/A
Y60HG01B1A0G0A3	Laminated Abutted Top	N/A	-
60-in. (152.40cm) wide Stainless Steel Cabinet			
Y60DA01B1A0G0A5	SS Island Top	N/A	N/A
Y60DG01B1A0G0A5	Laminated Island Top	N/A	-
Y60HA01B1A0G0A5	SS Abutted Top	N/A	N/A
Y60HG01B1A0G0A5	Laminated Abutted Top	N/A	-

Cupboard with Pair of Hinged Doors + Knee Space



P/N	TOP STYLE	COLOR	
		CABINET	TOP
IMPERIAL LAMINATED CABINET			
48-in. (121.92cm) wide Laminated Cabinet			
L60DA01G0A0B1A3	SS Island Top	-	† N/A
L60DG01G0A0B1A3	Laminated Island Top	-	† -
L60HA01G0A0B1A3	SS Abutted Top	-	† N/A
L60HG01G0A0B1A3	Laminated Abutted Top	-	† -
60-in. (152.40cm) wide Laminated Cabinet			
L60DA01G0A0B1A5	SS Island Top	-	† N/A
L60DG01G0A0B1A5	Laminated Island Top	-	† -
L60HA01G0A0B1A5	SS Abutted Top	-	† N/A
L60HG01G0A0B1A5	Laminated Abutted Top	-	† -
REGAL STAINLESS STEEL CABINET			
48-in. (121.92cm) wide Stainless Steel Cabinet			
Y60DA01G0A0B1A3	SS Island Top	N/A	N/A
Y60DG01G0A0B1A3	Laminated Island Top	N/A	-
Y60HA01G0A0B1A3	SS Abutted Top	N/A	N/A
Y60HG01G0A0B1A3	Laminated Abutted Top	N/A	-
60-in. (152.40cm) wide Stainless Steel Cabinet			
Y60DA01G0A0B1A5	SS Island Top	N/A	N/A
Y60DG01G0A0B1A5	Laminated Island Top	N/A	-
Y60HA01G0A0B1A5	SS Abutted Top	N/A	N/A
Y60HG01G0A0B1A5	Laminated Abutted Top	N/A	-

Important: These customer order requirements, in addition to other customer order requirements, must be satisfied prior to the beginning of manufacturing lead time:

†Specify 4-digit Color code. See Color Selections, Section A, pages 1 & 2 for Color Codes.



SSCI laminated products are available in SSCI standard laminates, SSCI optional laminates, or Customer selected laminates.

Imperial/Regal Treatment Tables

Choose an Island or Abutted-style Table Top in two materials:

- Stainless steel
- Laminated to match your décor



Imperial Treatment Table
2 Cupboards with Hinged Doors or Cupboard
with Pair of Hinged Doors + 4 Drawers, Laminated Island Top

Imperial/Regal Treatment Tables

All Full-Cabinet Treatment Tables are divided into 3 sections. All sections are storage space in a variety of drawer/cupboard combinations. We offer these Tables with your choice of a durable, top-quality, high-pressure laminated Imperial Cabinet, or an all stainless steel Regal Cabinet for unsurpassed durability. Imperial laminated Tables are available in SSCI Standard colors, or SSCI optional colors or choose from a spectrum of customer-selected colors to blend with your décor. Tops are available in either stainless steel or laminated models, in Island or Abutted-styles. Island-style top overhangs both ends of the cabinet for standing alone. Abutted-style is flush with the cabinet on one end for abutting against a wall. Or create a multi-station Prep/Treatment Center by abutting Treatment Table to cabinet, another table, or a utility column. See Prep/Treatment Centers, Section 12.



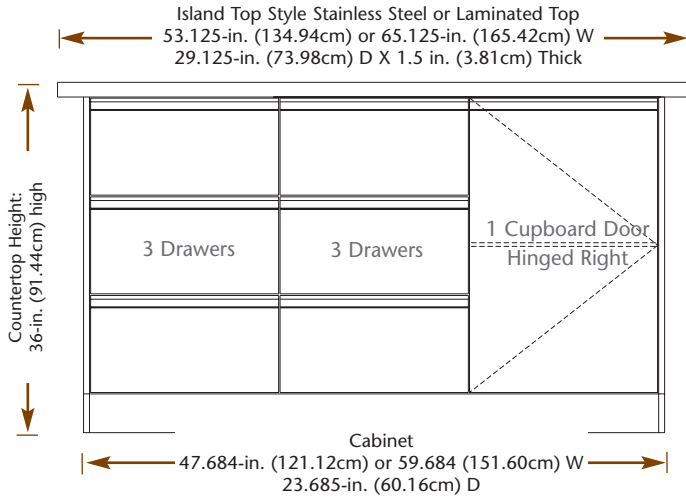
New Product
Check with SSCI
for Picture

Regal Treatment Tables
2 Cupboards with Hinged Doors or Cupboard with Pair of
Hinged Doors + 4 Drawers, Stainless Steel Abutted Top

For Product Information Call TOLL-FREE 1-800-323-7366 • (847) 537-9320 • Fax (847) 537-9061
Hours: 8:30am - 5:00pm CST Monday - Friday
Visit our website at: www.suburbansurgical.com

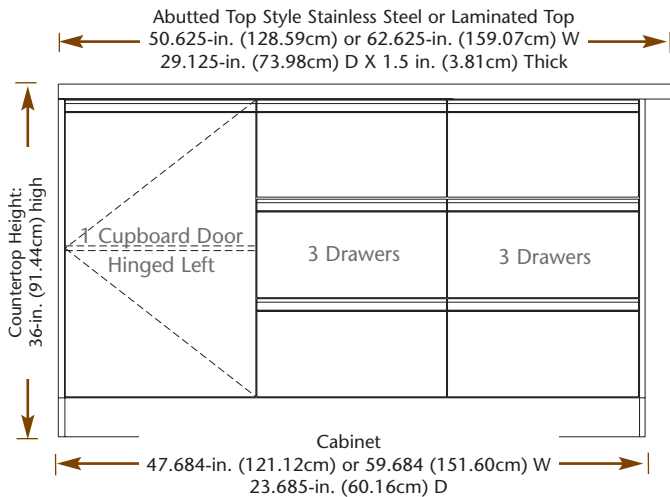
Treatment Tables

3 + 3 Drawers + Cupboard, Door Hinged Right



P/N	TOP STYLE	COLOR	
		CABINET	TOP
IMPERIAL LAMINATED CABINET			
48-in. (121.92cm) wide Laminated Cabinet			
L63DA01U0U0E0A3	SS Island Top	-	† N/A
L63DG01U0U0E0A3	Laminated Island Top	-	†
L63HA01U0U0E0A3	SS Abutted Top	-	† N/A
L63HG01U0U0E0A3	Laminated Abutted Top	-	†
60-in. (152.40cm) wide Laminated Cabinet			
L63DA01U0U0E0A5	SS Island Top	-	† N/A
L63DG01U0U0E0A5	Laminated Island Top	-	†
L63HA01U0U0E0A5	SS Abutted Top	-	† N/A
L63HG01U0U0E0A5	Laminated Abutted Top	-	†
REGAL STAINLESS STEEL CABINET			
48-in. (121.92cm) wide Stainless Steel Cabinet			
Y63DA01U0U0E0A3	SS Island Top	N/A	N/A
Y63DG01U0U0E0A3	Laminated Island Top	N/A	†
Y63HA01U0U0E0A3	SS Abutted Top	N/A	N/A
Y63HG01U0U0E0A3	Laminated Abutted Top	N/A	†
60-in. (152.40cm) wide Stainless Steel Cabinet			
Y63DA01U0U0E0A5	SS Island Top	N/A	N/A
Y63DG01U0U0E0A5	Laminated Island Top	N/A	†
Y63HA01U0U0E0A5	SS Abutted Top	N/A	N/A
Y63HG01U0U0E0A5	Laminated Abutted Top	N/A	†

Cupboard, Door Hinged Left + 3 + 3 Drawers



P/N	TOP STYLE	COLOR	
		CABINET	TOP
IMPERIAL LAMINATED CABINET			
48-in. (121.92cm) wide Laminated Cabinet			
L63DA01D0U0U0A3	SS Island Top	-	† N/A
L63DG01D0U0U0A3	Laminated Island Top	-	†
L63HA01D0U0U0A3	SS Abutted Top	-	† N/A
L63HG01D0U0U0A3	Laminated Abutted Top	-	†
60-in. (152.40cm) wide Laminated Cabinet			
L63DA01D0U0U0A5	SS Island Top	-	† N/A
L63DG01D0U0U0A5	Laminated Island Top	-	†
L63HA01D0U0U0A5	SS Abutted Top	-	† N/A
L63HG01D0U0U0A5	Laminated Abutted Top	-	†
REGAL STAINLESS STEEL CABINET			
48-in. (121.92cm) wide Stainless Steel Cabinet			
Y63DA01D0U0U0A3	SS Island Top	N/A	N/A
Y63DG01D0U0U0A3	Laminated Island Top	N/A	†
Y63HA01D0U0U0A3	SS Abutted Top	N/A	N/A
Y63HG01D0U0U0A3	Laminated Abutted Top	N/A	†
60-in. (152.40cm) wide Stainless Steel Cabinet			
Y63DA01D0U0U0A5	SS Island Top	N/A	N/A
Y63DG01D0U0U0A5	Laminated Island Top	N/A	†
Y63HA01D0U0U0A5	SS Abutted Top	N/A	N/A
Y63HG01D0U0U0A5	Laminated Abutted Top	N/A	†

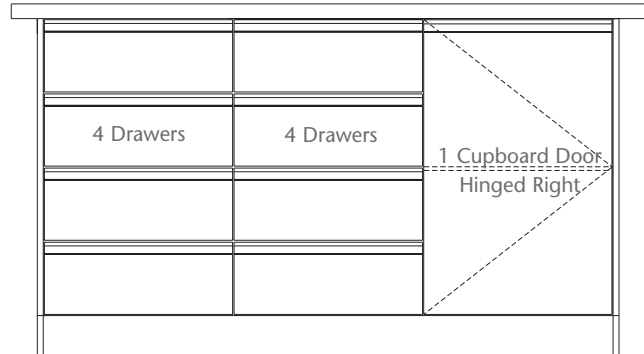
Important: These customer order requirements, in addition to other customer order requirements, must be satisfied prior to the beginning of manufacturing lead time:
†Specify 4-digit Color code. See Color Selections, Section A, pages 1 & 2 for Color Codes.



SSCI laminated products are available in SSCI standard laminates, SSCI optional laminates, or Customer selected laminates.

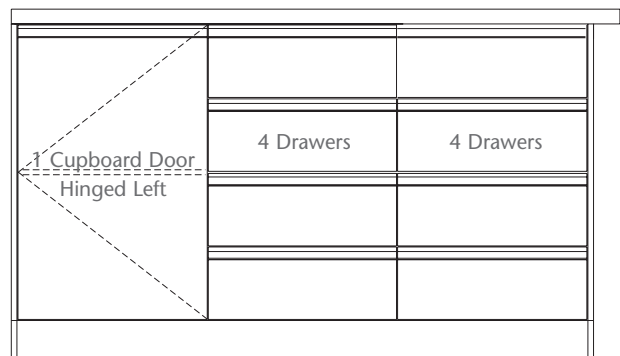
Treatment Tables

4 + 4 Drawers + Cupboard, Door Hinged Right



P/N	TOP STYLE	COLOR	
		CABINET	TOP
IMPERIAL LAMINATED CABINET			
48-in. (121.92cm) wide Laminated Cabinet			
L63DA01V0V0E0A3	SS Island Top	- - - - †	N/A
L63DG01V0V0E0A3	Laminated Island Top	- - - - †	- - - - †
L63HA01V0V0E0A3	SS Abutted Top	- - - - †	N/A
L63HG01V0V0E0A3	Laminated Abutted Top	- - - - †	- - - - †
60-in. (152.40cm) wide Laminated Cabinet			
L63DA01V0V0E0A5	SS Island Top	- - - - †	N/A
L63DG01V0V0E0A5	Laminated Island Top	- - - - †	- - - - †
L63HA01V0V0E0A5	SS Abutted Top	- - - - †	N/A
L63HG01V0V0E0A5	Laminated Abutted Top	- - - - †	- - - - †
REGAL STAINLESS STEEL CABINET			
48-in. (121.92cm) wide Stainless Steel Cabinet			
Y63DA01V0V0E0A3	SS Island Top	N/A	N/A
Y63DG01V0V0E0A3	Laminated Island Top	N/A	- - - - †
Y63HA01V0V0E0A3	SS Abutted Top	N/A	N/A
Y63HG01V0V0E0A3	Laminated Abutted Top	N/A	- - - - †
60-in. (152.40cm) wide Stainless Steel Cabinet			
Y63DA01V0V0E0A5	SS Island Top	N/A	N/A
Y63DG01V0V0E0A5	Laminated Island Top	N/A	- - - - †
Y63HA01V0V0E0A5	SS Abutted Top	N/A	N/A
Y63HG01V0V0E0A5	Laminated Abutted Top	N/A	- - - - †

Cupboard, Door Hinged Left + 4 + 4 Drawers



P/N	TOP STYLE	COLOR	
		CABINET	TOP
IMPERIAL LAMINATED CABINET			
48-in. (121.92cm) wide Laminated Cabinet			
L63DA01D0V0V0A3	SS Island Top	- - - - †	N/A
L63DG01D0V0V0A3	Laminated Island Top	- - - - †	- - - - †
L63HA01D0V0V0A3	SS Abutted Top	- - - - †	N/A
L63HG01D0V0V0A3	Laminated Abutted Top	- - - - †	- - - - †
60-in. (152.40cm) wide Laminated Cabinet			
L63DA01D0V0V0A5	SS Island Top	- - - - †	N/A
L63DG01D0V0V0A5	Laminated Island Top	- - - - †	- - - - †
L63HA01D0V0V0A5	SS Abutted Top	- - - - †	N/A
L63HG01D0V0V0A5	Laminated Abutted Top	- - - - †	- - - - †
REGAL STAINLESS STEEL CABINET			
48-in. (121.92cm) wide Stainless Steel Cabinet			
Y63DA01D0V0V0A3	SS Island Top	N/A	N/A
Y63DG01D0V0V0A3	Laminated Island Top	N/A	- - - - †
Y63HA01D0V0V0A3	SS Abutted Top	N/A	N/A
Y63HG01D0V0V0A3	Laminated Abutted Top	N/A	- - - - †
60-in. (152.40cm) wide Stainless Steel Cabinet			
Y63DA01D0V0V0A5	SS Island Top	N/A	N/A
Y63DG01D0V0V0A5	Laminated Island Top	N/A	- - - - †
Y63HA01D0V0V0A5	SS Abutted Top	N/A	N/A
Y63HG01D0V0V0A5	Laminated Abutted Top	N/A	- - - - †

Important: These customer order requirements, in addition to other customer order requirements, must be satisfied prior to the beginning of manufacturing lead time:

†Specify 4-digit Color code. See Color Selections, Section A, pages 1 & 2 for Color Codes.



SSCI laminated products are available in SSCI standard laminates, SSCI optional laminates, or Customer selected laminates.

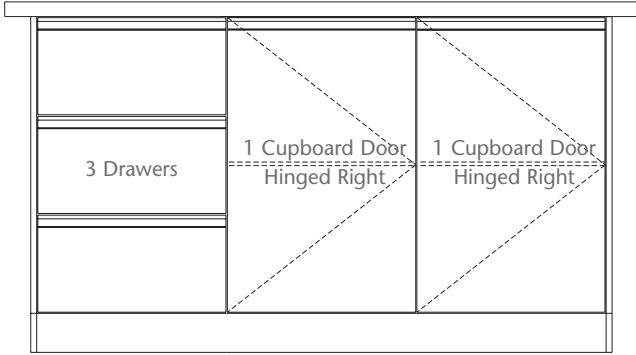
For Product Information Call TOLL-FREE 1-800-323-7366 • (847) 537-9320 • Fax (847) 537-9061

Hours: 8:30am - 5:00pm CST Monday - Friday

Visit our website at: www.suburbansurgical.com

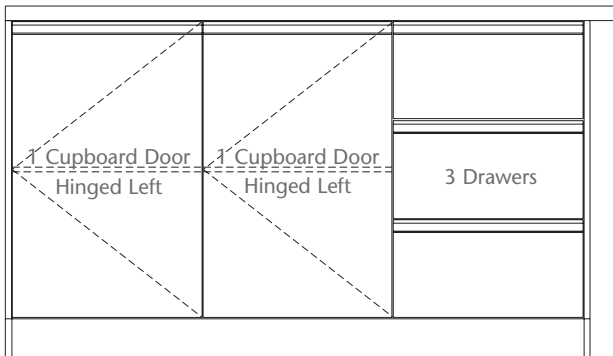
Treatment Tables

3 Drawers + Cupboard, Door Hinged Right + Cupboard, Door Hinged Right



P/N	TOP STYLE	COLOR	
		CABINET	TOP
IMPERIAL LAMINATED CABINET			
48-in. (121.92cm) wide Laminated Cabinet			
L63DA01U0E0E0A3	SS Island Top	-	† N/A
L63DG01U0E0E0A3	Laminated Island Top	-	† -
L63HA01U0E0E0A3	SS Abutted Top	-	† N/A
L63HG01U0E0E0A3	Laminated Abutted Top	-	† -
60-in. (152.40cm) wide Laminated Cabinet			
L63DA01U0E0E0A5	SS Island Top	-	† N/A
L63DG01U0E0E0A5	Laminated Island Top	-	† -
L63HA01U0E0E0A5	SS Abutted Top	-	† N/A
L63HG01U0E0E0A5	Laminated Abutted Top	-	† -
REGAL STAINLESS STEEL CABINET			
48-in. (121.92cm) wide Stainless Steel Cabinet			
Y63DA01U0E0E0A3	SS Island Top	N/A	N/A
Y63DG01U0E0E0A3	Laminated Island Top	N/A	-
Y63HA01U0E0E0A3	SS Abutted Top	N/A	N/A
Y63HG01U0E0E0A3	Laminated Abutted Top	N/A	-
60-in. (152.40cm) wide Stainless Steel Cabinet			
Y63DA01U0E0E0A5	SS Island Top	N/A	N/A
Y63DG01U0E0E0A5	Laminated Island Top	N/A	-
Y63HA01U0E0E0A5	SS Abutted Top	N/A	N/A
Y63HG01U0E0E0A5	Laminated Abutted Top	N/A	-

Cupboard, Door Hinged Left + Cupboard, Door Hinged Left + 3 Drawers



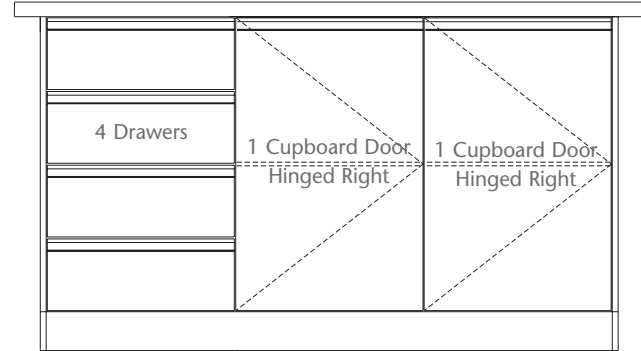
P/N	TOP STYLE	COLOR	
		CABINET	TOP
IMPERIAL LAMINATED CABINET			
48-in. (121.92cm) wide Laminated Cabinet			
L63DA01D0D0U0A3	SS Island Top	-	† N/A
L63DG01D0D0U0A3	Laminated Island Top	-	† -
L63HA01D0D0U0A3	SS Abutted Top	-	† N/A
L63HG01D0D0U0A3	Laminated Abutted Top	-	† -
60-in. (152.40cm) wide Laminated Cabinet			
L63DA01D0D0U0A5	SS Island Top	-	† N/A
L63DG01D0D0U0A5	Laminated Island Top	-	† -
L63HA01D0D0U0A5	SS Abutted Top	-	† N/A
L63HG01D0D0U0A5	Laminated Abutted Top	-	† -
REGAL STAINLESS STEEL CABINET			
48-in. (121.92cm) wide Stainless Steel Cabinet			
Y63DA01D0D0U0A3	SS Island Top	N/A	N/A
Y63DG01D0D0U0A3	Laminated Island Top	N/A	-
Y63HA01D0D0U0A3	SS Abutted Top	N/A	N/A
Y63HG01D0D0U0A3	Laminated Abutted Top	N/A	-
60-in. (152.40cm) wide Stainless Steel Cabinet			
Y63DA01D0D0U0A5	SS Island Top	N/A	N/A
Y63DG01D0D0U0A5	Laminated Island Top	N/A	-
Y63HA01D0D0U0A5	SS Abutted Top	N/A	N/A
Y63HG01D0D0U0A5	Laminated Abutted Top	N/A	-

Important: These customer order requirements, in addition to other customer order requirements, must be satisfied prior to the beginning of manufacturing lead time:
 †Specify 4-digit Color code. See Color Selections, Section A, pages 1 & 2 for Color Codes.



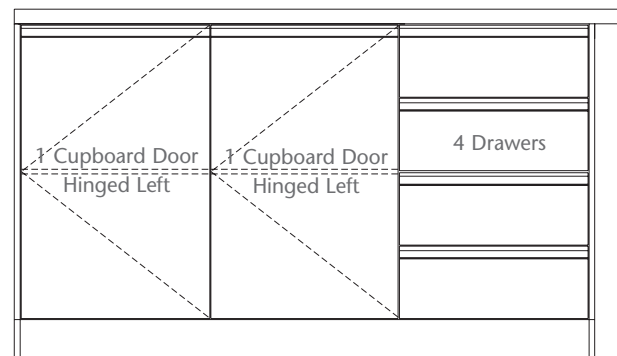
SSCI laminated products are available in SSCI standard laminates, SSCI optional laminates, or Customer selected laminates.

4 Drawers + Cupboard, Door Hinged Right + Cupboard, Door Hinged Right



P/N	TOP STYLE	COLOR	
		CABINET	TOP
IMPERIAL LAMINATED CABINET			
48-in. (121.92cm) wide Laminated Cabinet			
L63DA01V0E0E0A3	SS Island Top	- - - - †	N/A
L63DG01V0E0E0A3	Laminated Island Top	- - - - †	- - - - †
L63HA01V0E0E0A3	SS Abutted Top	- - - - †	N/A
L63HG01V0E0E0A3	Laminated Abutted Top	- - - - †	- - - - †
60-in. (152.40cm) wide Laminated Cabinet			
L63DA01V0E0E0A5	SS Island Top	- - - - †	N/A
L63DG01V0E0E0A5	Laminated Island Top	- - - - †	- - - - †
L63HA01V0E0E0A5	SS Abutted Top	- - - - †	N/A
L63HG01V0E0E0A5	Laminated Abutted Top	- - - - †	- - - - †
REGAL STAINLESS STEEL CABINET			
48-in. (121.92cm) wide Stainless Steel Cabinet			
Y63DA01V0E0E0A3	SS Island Top	N/A	N/A
Y63DG01V0E0E0A3	Laminated Island Top	N/A	- - - - †
Y63HA01V0E0E0A3	SS Abutted Top	N/A	N/A
Y63HG01V0E0E0A3	Laminated Abutted Top	N/A	- - - - †
60-in. (152.40cm) wide Stainless Steel Cabinet			
Y63DA01V0E0E0A5	SS Island Top	N/A	N/A
Y63DG01V0E0E0A5	Laminated Island Top	N/A	- - - - †
Y63HA01V0E0E0A5	SS Abutted Top	N/A	N/A
Y63HG01V0E0E0A5	Laminated Abutted Top	N/A	- - - - †

Cupboard, Door Hinged Left + Cupboard, Door Hinged Left + 4 Drawers



P/N	TOP STYLE	COLOR	
		CABINET	TOP
IMPERIAL LAMINATED CABINET			
48-in. (121.92cm) wide Laminated Cabinet			
L63DA01D0D0V0A3	SS Island Top	- - - - †	N/A
L63DG01D0D0V0A3	Laminated Island Top	- - - - †	- - - - †
L63HA01D0D0V0A3	SS Abutted Top	- - - - †	N/A
L63HG01D0D0V0A3	Laminated Abutted Top	- - - - †	- - - - †
60-in. (152.40cm) wide Laminated Cabinet			
L63DA01D0D0V0A5	SS Island Top	- - - - †	N/A
L63DG01D0D0V0A5	Laminated Island Top	- - - - †	- - - - †
L63HA01D0D0V0A5	SS Abutted Top	- - - - †	N/A
L63HG01D0D0V0A5	Laminated Abutted Top	- - - - †	- - - - †
REGAL STAINLESS STEEL CABINET			
48-in. (121.92cm) wide Stainless Steel Cabinet			
Y63DA01D0D0V0A3	SS Island Top	N/A	N/A
Y63DG01D0D0V0A3	Laminated Island Top	N/A	- - - - †
Y63HA01D0D0V0A3	SS Abutted Top	N/A	N/A
Y63HG01D0D0V0A3	Laminated Abutted Top	N/A	- - - - †
60-in. (152.40cm) wide Stainless Steel Cabinet			
Y63DA01D0D0V0A5	SS Island Top	N/A	N/A
Y63DG01D0D0V0A5	Laminated Island Top	N/A	- - - - †
Y63HA01D0D0V0A5	SS Abutted Top	N/A	N/A
Y63HG01D0D0V0A5	Laminated Abutted Top	N/A	- - - - †

Important: These customer order requirements, in addition to other customer order requirements, must be satisfied prior to the beginning of manufacturing lead time:

†Specify 4-digit Color code. See Color Selections, Section A, pages 1 & 2 for Color Codes.



SSCI laminated products are available in SSCI standard laminates, SSCI optional laminates, or Customer selected laminates.

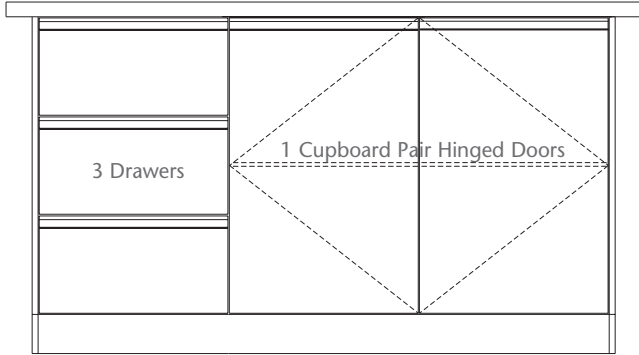
For Product Information Call TOLL-FREE 1-800-323-7366 • (847) 537-9320 • Fax (847) 537-9061

Hours: 8:30am - 5:00pm CST Monday - Friday

Visit our website at: www.suburbansurgical.com

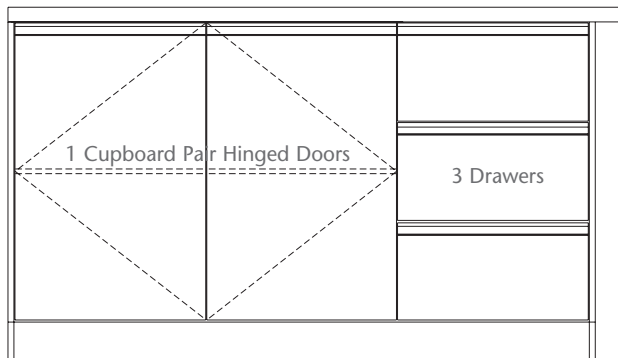
Treatment Tables

3 Drawers + Cupboard with Pair of Hinged Doors



P/N	TOP STYLE	COLOR	
		CABINET	TOP
IMPERIAL LAMINATED CABINET			
48-in. (121.92cm) wide Laminated Cabinet			
L63DA01U0A0G0A3	SS Island Top	-	† N/A
L63DG01U0A0G0A3	Laminated Island Top	-	† -
L63HA01U0A0G0A3	SS Abutted Top	-	† N/A
L63HG01U0A0G0A3	Laminated Abutted Top	-	† -
60-in. (152.40cm) wide Laminated Cabinet			
L63DA01U0A0G0A5	SS Island Top	-	† N/A
L63DG01U0A0G0A5	Laminated Island Top	-	† -
L63HA01U0A0G0A5	SS Abutted Top	-	† N/A
L63HG01U0A0G0A5	Laminated Abutted Top	-	† -
REGAL STAINLESS STEEL CABINET			
48-in. (121.92cm) wide Stainless Steel Cabinet			
Y63DA01U0A0G0A3	SS Island Top	N/A	N/A
Y63DG01U0A0G0A3	Laminated Island Top	N/A	-
Y63HA01U0A0G0A3	SS Abutted Top	N/A	N/A
Y63HG01U0A0G0A3	Laminated Abutted Top	N/A	-
60-in. (152.40cm) wide Stainless Steel Cabinet			
Y63DA01U0A0G0A5	SS Island Top	N/A	N/A
Y63DG01U0A0G0A5	Laminated Island Top	N/A	-
Y63HA01U0A0G0A5	SS Abutted Top	N/A	N/A
Y63HG01U0A0G0A5	Laminated Abutted Top	N/A	-

Cupboard with Pair of Hinged Doors + 3 Drawers



P/N	TOP STYLE	COLOR	
		CABINET	TOP
IMPERIAL LAMINATED CABINET			
48-in. (121.92cm) wide Laminated Cabinet			
L63DA01G0A0U0A3	SS Island Top	-	† N/A
L63DG01G0A0U0A3	Laminated Island Top	-	† -
L63HA01G0A0U0A3	SS Abutted Top	-	† N/A
L63HG01G0A0U0A3	Laminated Abutted Top	-	† -
60-in. (152.40cm) wide Laminated Cabinet			
L63DA01G0A0U0A5	SS Island Top	-	† N/A
L63DG01G0A0U0A5	Laminated Island Top	-	† -
L63HA01G0A0U0A5	SS Abutted Top	-	† N/A
L63HG01G0A0U0A5	Laminated Abutted Top	-	† -
REGAL STAINLESS STEEL CABINET			
48-in. (121.92cm) wide Stainless Steel Cabinet			
Y63DA01G0A0U0A3	SS Island Top	N/A	N/A
Y63DG01G0A0U0A3	Laminated Island Top	N/A	-
Y63HA01G0A0U0A3	SS Abutted Top	N/A	N/A
Y63HG01G0A0U0A3	Laminated Abutted Top	N/A	-
60-in. (152.40cm) wide Stainless Steel Cabinet			
Y63DA01G0A0U0A5	SS Island Top	N/A	N/A
Y63DG01G0A0U0A5	Laminated Island Top	N/A	-
Y63HA01G0A0U0A5	SS Abutted Top	N/A	N/A
Y63HG01G0A0U0A5	Laminated Abutted Top	N/A	-

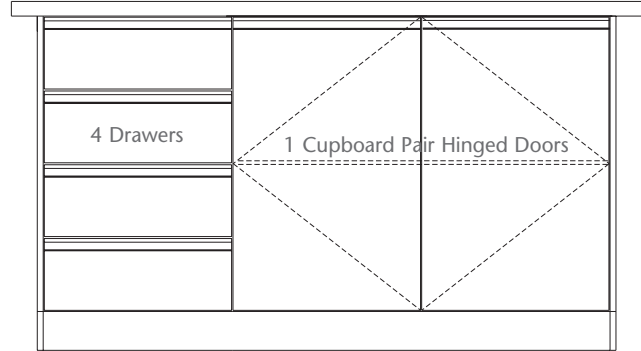
Important: These customer order requirements, in addition to other customer order requirements, must be satisfied prior to the beginning of manufacturing lead time:

†Specify 4-digit Color code. See Color Selections, Section A, pages 1 & 2 for Color Codes.



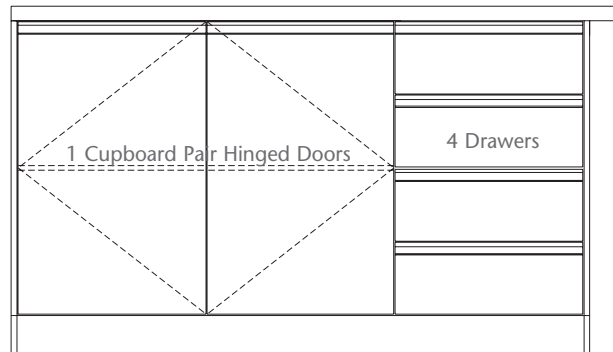
SSCI laminated products are available in SSCI standard laminates, SSCI optional laminates, or Customer selected laminates.

4 Drawers + Cupboard with Pair of Hinged Doors



P/N	TOP STYLE	COLOR	
		CABINET	TOP
IMPERIAL LAMINATED CABINET			
48-in. (121.92cm) wide Laminated Cabinet			
L63DA01V0A0G0A3	SS Island Top	- - - - †	N/A
L63DG01V0A0G0A3	Laminated Island Top	- - - - †	- - - - †
L63HA01V0A0G0A3	SS Abutted Top	- - - - †	N/A
L63HG01V0A0G0A3	Laminated Abutted Top	- - - - †	- - - - †
60-in. (152.40cm) wide Laminated Cabinet			
L63DA01V0A0G0A5	SS Island Top	- - - - †	N/A
L63DG01V0A0G0A5	Laminated Island Top	- - - - †	- - - - †
L63HA01V0A0G0A5	SS Abutted Top	- - - - †	N/A
L63HG01V0A0G0A5	Laminated Abutted Top	- - - - †	- - - - †
REGAL STAINLESS STEEL CABINET			
48-in. (121.92cm) wide Stainless Steel Cabinet			
Y63DA01V0A0G0A3	SS Island Top	N/A	N/A
Y63DG01V0A0G0A3	Laminated Island Top	N/A	- - - - †
Y63HA01V0A0G0A3	SS Abutted Top	N/A	N/A
Y63HG01V0A0G0A3	Laminated Abutted Top	N/A	- - - - †
60-in. (152.40cm) wide Stainless Steel Cabinet			
Y63DA01V0A0G0A5	SS Island Top	N/A	N/A
Y63DG01V0A0G0A5	Laminated Island Top	N/A	- - - - †
Y63HA01V0A0G0A5	SS Abutted Top	N/A	N/A
Y63HG01V0A0G0A5	Laminated Abutted Top	N/A	- - - - †

Cupboard with Pair of Hinged Doors + 4 Drawers



P/N	TOP STYLE	COLOR	
		CABINET	TOP
IMPERIAL LAMINATED CABINET			
48-in. (121.92cm) wide Laminated Cabinet			
L63DA01G0A0V0A3	SS Island Top	- - - - †	NA
L63DG01G0A0V0A3	Laminated Island Top	- - - - †	- - - - †
L63HA01G0A0V0A3	SS Abutted Top	- - - - †	NA
L63HG01G0A0V0A3	Laminated Abutted Top	- - - - †	- - - - †
60-in. (152.40cm) wide Laminated Cabinet			
L63DA01G0A0V0A5	SS Island Top	- - - - †	NA
L63DG01G0A0V0A5	Laminated Island Top	- - - - †	- - - - †
L63HA01G0A0V0A5	SS Abutted Top	- - - - †	NA
L63HG01G0A0V0A5	Laminated Abutted Top	- - - - †	- - - - †
REGAL STAINLESS STEEL CABINET			
48-in. (121.92cm) wide Stainless Steel Cabinet			
Y63DA01G0A0V0A3	SS Island Top	N/A	NA
Y63DG01G0A0V0A3	Laminated Island Top	N/A	- - - - †
Y63HA01G0A0V0A3	SS Abutted Top	N/A	NA
Y63HG01G0A0V0A3	Laminated Abutted Top	N/A	- - - - †
60-in. (152.40cm) wide Stainless Steel Cabinet			
Y63DA01G0A0V0A5	SS Island Top	N/A	NA
Y63DG01G0A0V0A5	Laminated Island Top	N/A	- - - - †
Y63HA01G0A0V0A5	SS Abutted Top	N/A	NA
Y63HG01G0A0V0A5	Laminated Abutted Top	N/A	- - - - †

Important: These customer order requirements, in addition to other customer order requirements, must be satisfied prior to the beginning of manufacturing lead time:

†Specify 4-digit Color code. See Color Selections, Section A, pages 1 & 2 for Color Codes.



SSCI laminated products are available in SSCI standard laminates, SSCI optional laminates, or Customer selected laminates.

Accessories For Treatment Table



Corner Edge Protectors

Keep your laminated Treatment Table looking brand-new with our stainless steel Corner Edge Protectors. They install easily on laminated cabinet corners to help eliminate laminate chips and cracks caused by bumping or rubbing against the cabinet. Packaged in sets of two.

P/N	FITS TABLE STYLE
12811-00-AAAAA	Fits Premier and Imperial Full-Cabinet Tables
12812-00-AAAAA	Fits Imperial Recessed Tables

Pull-out Trays

For greater convenience, replace the cupboard's existing adjustable shelf with Pull-out Trays. Our uniquely-designed rollers/slides ensure that the Pull-out moves quietly, smoothly and with little effort. Typically, two trays are customer-installed in each cupboard; one at the bottom and one midway. Pull-out trays for laminated products are white to match the interior of the cupboard. Pull-out trays for stainless steel products are stainless steel.



Each Pull-out Tray is Sold Separately

P/N FOR IMPERIAL TREATMENT TABLES	P/N FOR STAINLESS STEEL REGAL CABINETS	FITS CUPBOARD TYPE
DRPAAEAAACJAODM	QRPAEAAACJAODM	Single Door in 48-in. 3 compartment Tables
DRPAAEAAACZAODM	QRPAEAAACZAODM	Single Door in 60-in. 3 compartment Tables
DRPAAEAAAETAODM	QRPAEAAAETAODM	Pair Doors in 48-in. 3 compartment Tables
DRPAAEAAAFZAODM	QRPAEAAAFZAODM	Pair Doors in 60-in. 3 compartment Tables

Black Vinyl Ribbed Mat

Add a mat to your Exam Table to give animals surer footing and greater security. Designed to fit on Exam Table's top, leaving the raised edge uncovered to catch fluids and spills. Removes easily for cleaning.



P/N	FITS TABLE STYLE
12800-00-HTAAEB	Fits 48-in.W (121.92cmW) Imperial/Regal Island-style Tables
12800-00-JPAAEB	Fits 60-in.W (152.40cmW) Imperial/Regal Island-style Tables
12800-00-HJAAEB	Fits 48-in.W (121.92cmW) Imperial/Regal Abutted-style Tables
12800-00-JFAAEB	Fits 60-in.W (152.40cmW) Imperial/Regal Abutted-style Tables

Tie Downs

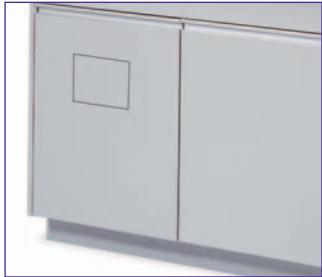
Easy-to-use add-on system installs quickly to help you hold animals safe and secure during treatment. Includes set of four tie-downs.

P/N	DESCRIPTION
12805-00-AAAAA	Fits Stainless Steel Top
12806-00-AAAAA	Fits Laminated Tops



SPECIFY OPTIONS

When discussing your Imperial Modular Cabinetry with SSCI's representatives, be sure to select any of the options below that you would like incorporated into your cabinets.



Specify a Towel Drop for most Cabinet Doors:

A convenient 6-in. wide x 6-in. high (15.24cm x 15.24cm) Towel Drop may be added to most Cabinet Doors. Towel Drops may be specified in cabinet doors: hinged left, hinged right and the left or right panel of pairs of doors.

Specify a Privacy Key Lock for a Cabinet:

Locks are designed for privacy, not security.

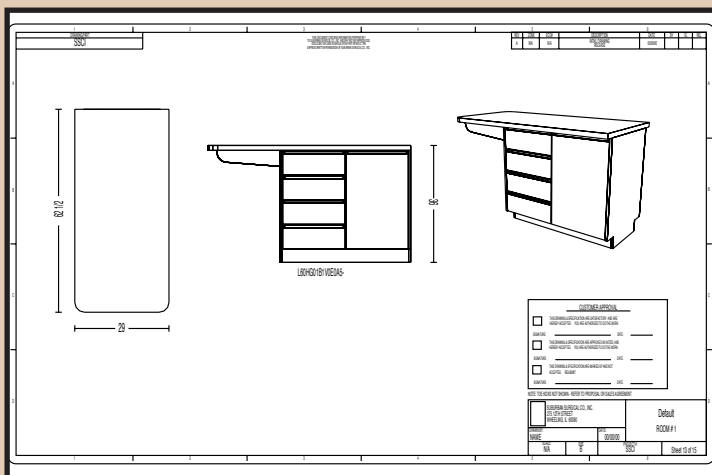
Choose one of the options below:

For each of the table's three vertical sections:

- One lock for each vertical section of drawers
- One lock for each vertical section with door(s)
- Two locks for each vertical section with drawer above door(s)



FOR EVERY LAMINATED PRODUCT PURCHASE, SSCI CREATES A DRAWING TO ENSURE CUSTOMER'S SATISFACTION



SSCI creates an Approval Drawing for each laminated product ordered. These detailed drawings of your laminated product illustrates the product and specifies your laminate choice. If you choose to change your choice of laminate, do not sign the existing Approval Drawing. Contact your SSCI representative, so that a new Approval Drawing can be created.

All laminated products are non-stocked, made specifically per your specifications. Once SSCI has received the signed Approval Drawing the order is non-cancelable. In addition to other customer requirements, the Final Approval Drawings must be signed and received by SSCI prior to the beginning of manufacturing lead time.