

“LEADER IN ANIMAL CARE PRODUCTS FOR OVER 60 YEARS”



***SSCI***

***SUBURBAN SURGICAL Co., INC.***

275 Twelfth Street, Wheeling, IL 60090

All intellectual material, including the text, graphics and other components of this catalog are Copyrighted by SSCI. Any use or duplication of these intellectual materials, without written consent by SSCI, is strictly forbidden.

***For Product Information Call TOLL-FREE 1-800-323-7366 • (847) 537-9320 • Fax (847) 537-9061***

***Hours: 8:30am - 5:00pm CST Monday - Friday***

Visit our website at: [www.suburbansurgical.com](http://www.suburbansurgical.com)

# STAINLESS STEEL BATHING TABLES

**A WIDE VARIETY OF MODELS MAKE SSCI YOUR BEST SOURCE FOR TOP-QUALITY BATHING TABLES**

**Efficient** bathing equipment is an essential component of virtually every pet care facility. Whether your business specializes in regular preventative care, emergency services, boarding or grooming, you'll build customer satisfaction when you send your clients home from your facility bathed, groomed and sweet smelling.

That's why we offer an amazing number of bathing table combinations. We want you to be able to choose the exact bathing table configuration you need to be able to efficiently bathe the animals in your care. Select a Bathing Table with the faucet on left, back or right. You can even specify exactly which splash shields you need to minimize water damage from over spray. Our Classic series Bathing Tables are designed to allow the most comfortable working height.

**Classic 15 Bathing Table with tubular stainless steel base**



**Classic 15 Bathing Table with tubular stainless steel base, right side door with rotating walk-up ramp**



But that's not all. We even offer Bathing Table tubs with an easy access door located on the right or left side with a rotating walk-up ramp. You'll never have to lift a heavy, wet animal in or out of the tub again. Imagine the convenience!

The entire Table — Tub, Splash Shields and Base — is made of Type 304 stainless steel, heli-arc welded for superior strength. All welds are ground smooth, and the entire tub assembly features a uniform, non-glare finish.



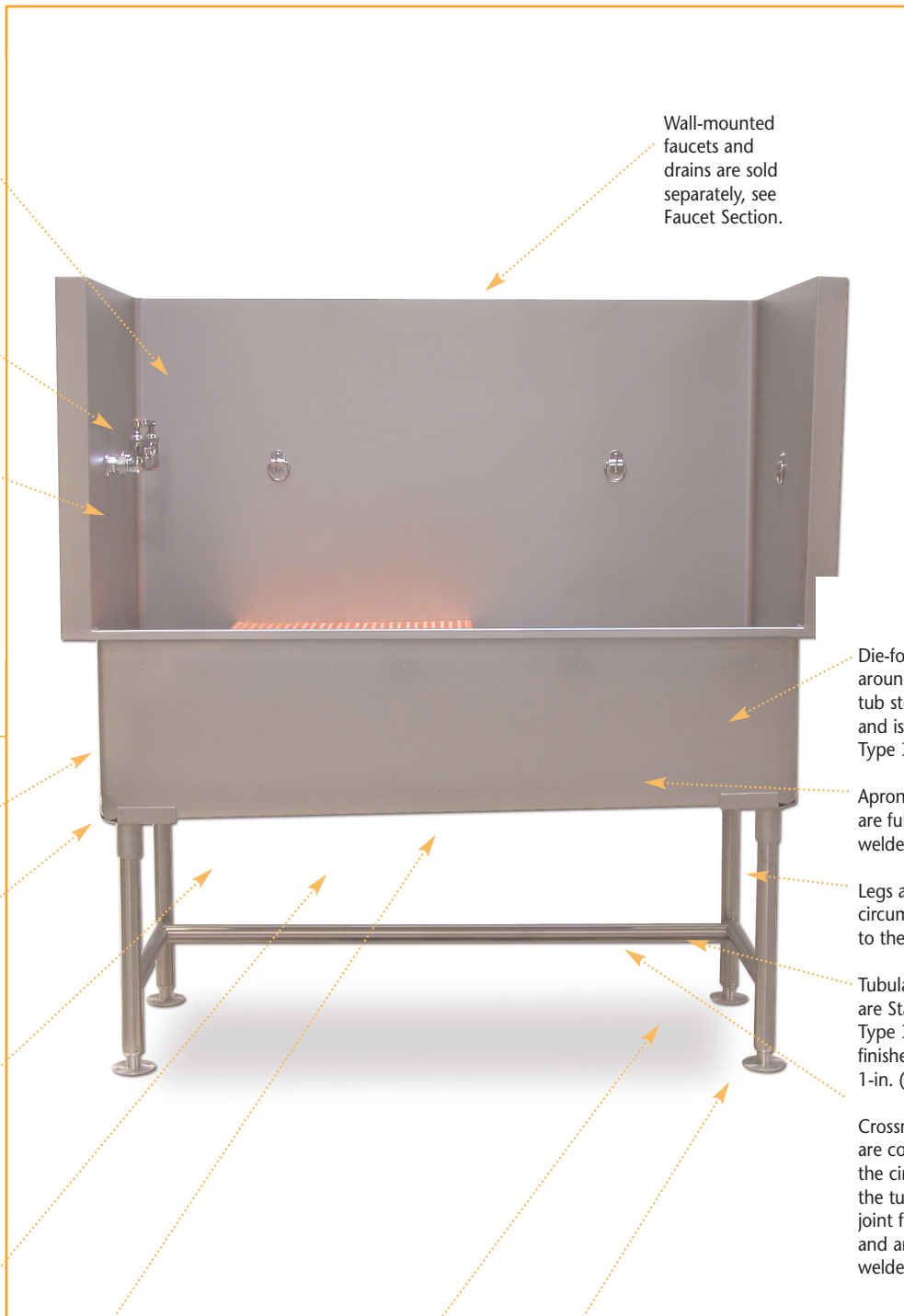
## Splash Shields

One-piece Side Splash Shields with .750-in. (1.90cm) radius corners, and bottom lip that overlaps the tub edge keeps water away from walls.

Splash Shield section behind faucet is prepunched for easy faucet installation.

Splash Shields measure 27-in. high (68.58cmH).

Wall-mounted faucets and drains are sold separately, see Faucet Section.



## Tub

.750-in. (1.90cm) radius bends on all sides and bottom give tub a smooth, easy-to-clean interior surface.

.750-in. (1.90cm) covered corners eliminate accumulation of dirt and debris.

Seams are fully crevice-free welded.

All welds are ground smooth, and the entire tub assembly features a uniform, non-glare finish.

3.5-in. (8.89cm) dia. opening for standard drain.

Bottom slopes 1 in. to drain.

Tub is 16-gauge, Type 304 Stainless Steel

Tubular legs are Stainless steel, Type 304, satin-finished, 1.25-in. (3.17cm) dia.

Adjustable floor levelers help keep table steady on uneven floors.

Base design allows tub to sit flush against wall.

All welds are ground and polished to a smooth, crevice-free, satin finish.

## Base

Die-formed wrap-around apron holds tub steady on frame and is Stainless Steel, Type 304, 16-gauge .

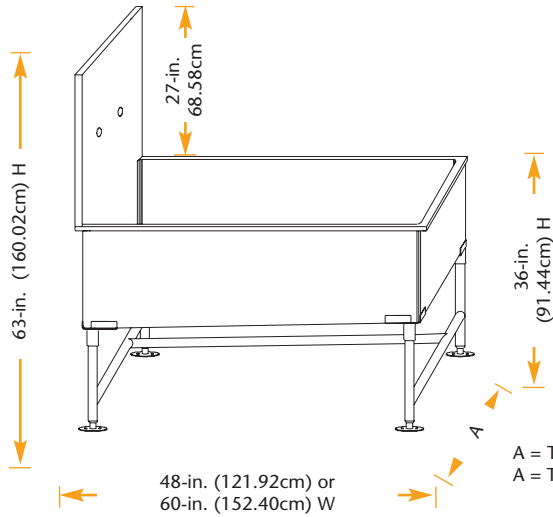
Apron's corners are fully crevice-free welded.

Legs are fully circumference welded to the apron.

Tubular crossmembers are Stainless Steel, Type 304, satin-finished, 1-in. (2.54cm) dia.

Crossmember's ends are coped following the circumference of the tubing at each joint for strongest fit and are circumference welded.

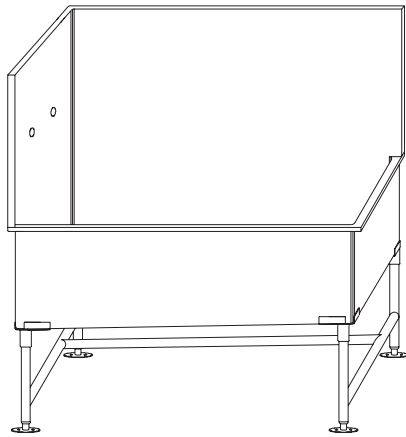
# Classic Bathing Tables



A = Tables Without a Back Splash 24-in (60.96cm)  
 A = Tables With a Back Splash 25.250-in (64.135cm)

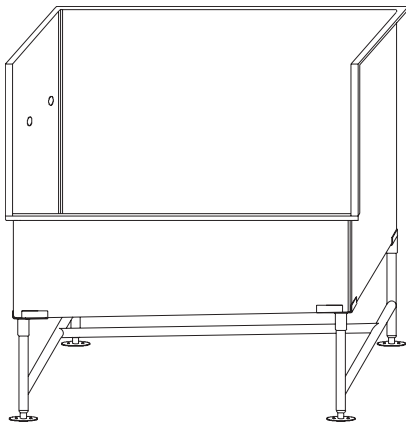
## Left Wall Longitudinal Tub 15 Drain Left, Splash Shield Left End with Holes for Faucet

P/N	WIDTH	
	In.	Cm
<b>Holes on 8-in. centers for faucet</b>		
13020-LA-HJJRDR	48W	121.92W
13020-LA-JFJRDR	60W	152.40W
<b>Holes for single lever faucet</b>		
13020-LE-HJJRDR	48W	121.92W
13020-LE-JFJRDR	60W	152.40W



## Left Corner Tub 15 Drain Left, Splash Shields Left End & Back, Left End with Holes for Faucet

P/N	WIDTH	
	In.	Cm
<b>Holes on 8-in. centers for faucet</b>		
13020-LB-HJJRDW	48W	121.92W
13020-LB-JFJRDR	60W	152.40W
<b>Holes for single lever faucet</b>		
13020-LF-HJJRDW	48W	121.92W
13020-LF-JFJRDR	60W	152.40W

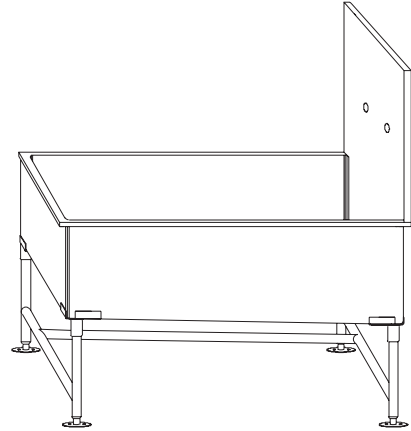


## Alcove Tub 15 Drain Left, Splash Shields Left End, Right End & Back, Left End with Holes for Faucet

P/N	WIDTH	
	In.	Cm
<b>Holes on 8-in. centers for faucet</b>		
13020-LC-HJJRDW	48W	121.92W
13020-LC-JFJRDR	60W	152.40W
<b>Holes for single lever faucet</b>		
13020-LG-HJJRDW	48W	121.92W
13020-LG-JFJRDR	60W	152.40W

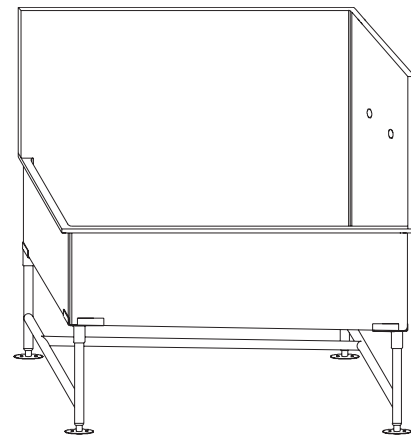
## Right Wall Longitudinal Tub 15 Drain Right, Splash Shield Right End with Holes for Faucet

P/N	WIDTH	
	In.	Cm
<b>Holes on 8-in. centers for faucet</b>		
13021-RA-HJJRDR	48W	121.92W
13021-RA-JFJRDR	60W	152.40W
<b>Holes for single lever faucet</b>		
13021-RE-HJJRDR	48W	121.92W
13021-RE-JFJRDR	60W	152.40W



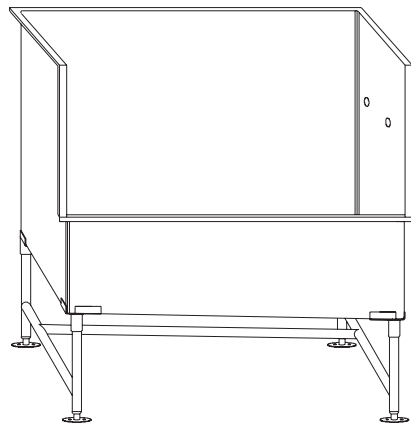
## Right Corner Tub 15 Drain Right, Splash Shields Right End & Back, Right End with Holes for Faucet

<b>Holes on 8-in. centers for faucet</b>		
13021-RB-HJJRDW	48W	121.92W
13021-RB-JFJRDW	60W	152.40W
<b>Holes for single lever faucet</b>		
13021-RF-HJJRDW	48W	121.92W
13021-RF-JFJRDW	60W	152.40W

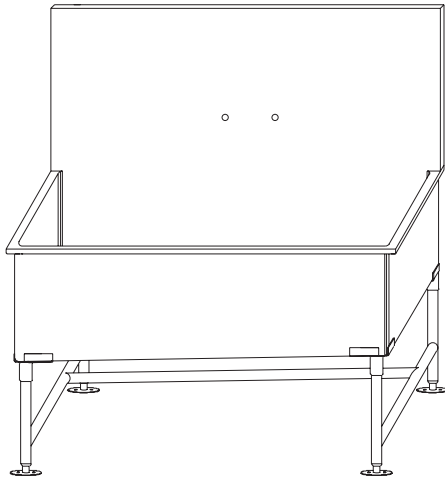


## Alcove Tub 15 Drain Right, Splash Shields Right End, Left End & Back, Right End with Holes for Faucet

P/N	WIDTH	
	In.	Cm
<b>Holes on 8-in. centers for faucet</b>		
13021-RC-HJJRDW	48W	121.92W
13021-RC-JFJRDW	60W	152.40W
<b>Holes for single lever faucet</b>		
13021-RG-HJJRDW	48W	121.92W
13021-RG-JFJRDW	60W	152.40W

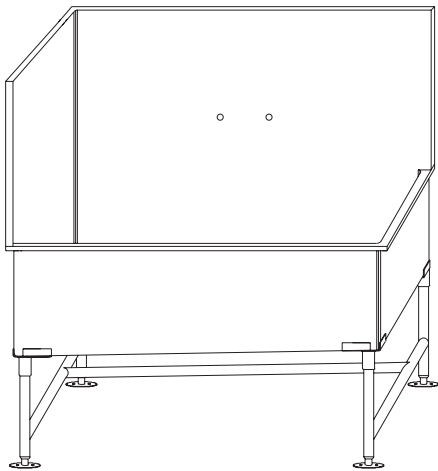


# Classic Bathing Tables



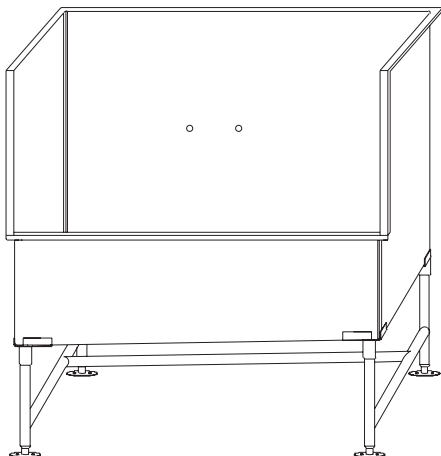
## Back Wall Lateral Tub 15 Drain Left, Splash Shield Back with Holes for Faucet

P/N	WIDTH	
	In.	Cm
<b>Holes on 8-in. centers for faucet</b>		
13020-BA-HJJRDW	48W	121.92W
13020-BA-JFJRDW	60W	152.40W
<b>Holes for single lever faucet</b>		
13020-BE-HJJRDW	48W	121.92W
13020-BE-JFJRDW	60W	152.40W



## Left Corner Tub 15 Drain Left, Splash Shields Back & Left End, Back with Holes for Faucet

P/N	WIDTH	
	In.	Cm
<b>Holes on 8-in. centers for faucet</b>		
13020-BB-HJJRDW	48W	121.92W
13020-BB-JFJRDW	60W	152.40W
<b>Holes for single lever faucet</b>		
13020-BF-HJJRDW	48W	121.92W
13020-BF-JFJRDW	60W	152.40W



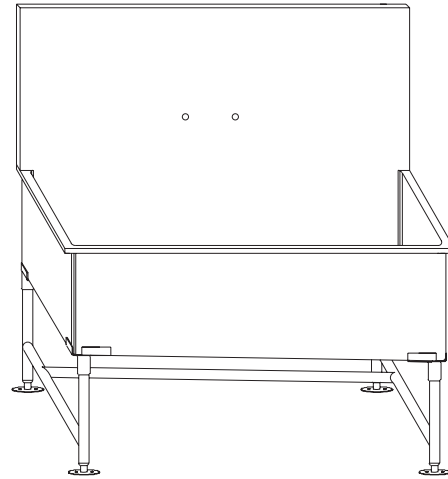
## Alcove Tub 15 Drain Left, Splash Shields Back, Left End & Right End, Back with Holes for Faucet

P/N	WIDTH	
	In.	Cm
<b>Holes on 8-in. centers for faucet</b>		
13020-BD-HJJRDW	48W	121.92W
13020-BD-JFJRDW	60W	152.40W
<b>Holes for single lever faucet</b>		
13020-BH-HJJRDW	48W	121.92W
13020-BH-JFJRDW	60W	152.40W



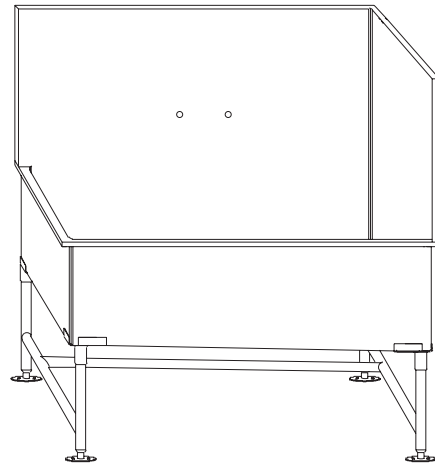
## Back Wall Lateral Tub 15 Drain Right, Splash Shield Back with Holes for Faucet

P/N	WIDTH	
	In.	Cm
<b>Holes on 8-in. centers for faucet</b>		
13021-BA-HJJRDW	48W	121.92W
13021-BA-JFJRDW	60W	152.40W
<b>Holes for single lever faucet</b>		
13021-BE-HJJRDW	48W	121.92W
13021-BE-JFJRDW	60W	152.40W



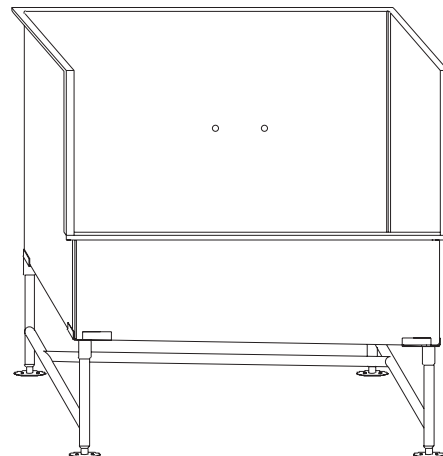
## Right Corner Tub 15 Drain Right, Splash Shields Back & Right End, Back with Holes for Faucet

P/N	WIDTH	
	In.	Cm
<b>Holes on 8-in. centers for faucet</b>		
13021-BC-HJJRDW	48W	121.92W
13021-BC-JFJRDW	60W	152.40W
<b>Holes for single lever faucet</b>		
13021-BG-HJJRDW	48W	121.92W
13021-BG-JFJRDW	60W	152.40W



## Alcove Tub 15 Drain Right, Splash Shields Back, Left End & Right End, Back with Holes for Faucet

P/N	WIDTH	
	In.	Cm
<b>Holes on 8-in. centers for faucet</b>		
13021-BD-HJJRDW	48W	121.92W
13021-BD-JFJRDW	60W	152.40W
<b>Holes for single lever faucet</b>		
13021-BH-HJJRDW	48W	121.92W
13021-BH-JFJRDW	60W	152.40W



# Classic Bathing Table Stainless Steel Enclosure



## Tub Panels

The Enclosure's panels are manufactured using Type 304 Stainless Steel with #4 satin finish.

Enclosure tucks up under the lip of the Classic Bathing Table and clamps to the Table's tubular legs.

The End Panels on the Enclosure are butted to the Sliding Door Front and Back Panel when applicable. This provides a finished look to the Enclosure.

The Sliding Doors double wall construction eliminates sharp edges and is manufactured using Type 304 Stainless Steel with a #4 satin finish. Finger Pulls allow easy opening and closing.

The Sliding Doors allows easy access to store items under the Classic Bathing Table on the facility's floor.

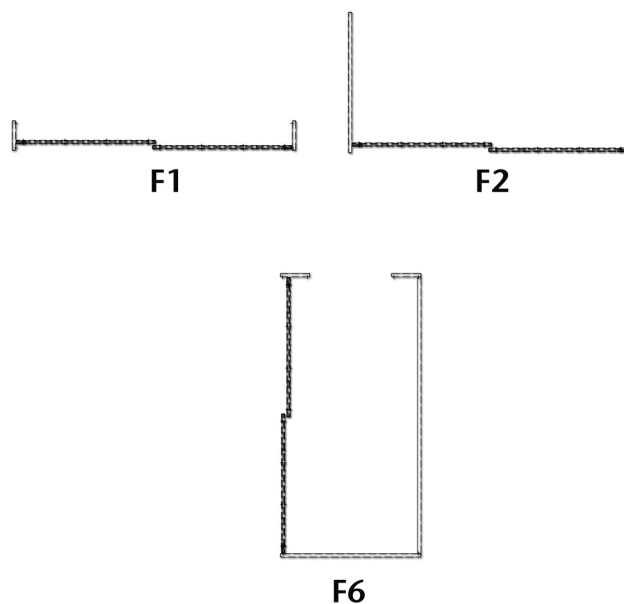
Enclosure configuration shown is F2

## Classic Bathing Table Stainless Steel Accessories

Stainless Steel Front, End or Back Panels give the Classic Bathing Table that finished look to match your decor. The Optional Sliding Panels on the front provide you with additional storage for products and materials. All Enclosure panels are 36-in. (91.44cm) high.

P/N STAINLESS STEEL ENCLOSURES	FITS TABLE STYLE	
	Inches	Centimeters
<b>Sliding Door Front for Alcove</b>		
13110-F1-HJFNAT	48W	121.92W
13110-F1-JFFNAT	60W	152.40W
<b>Left End Panel &amp; Sliding Door Front for Left Corner</b>		
13110-F2-HJFNDR	48W	121.92W
13110-F2-JFFNDR	60W	152.40W
<b>Sliding Door Front &amp; Right End Panel for Right Corner</b>		
13110-F3-HJFNDR	48W	121.92W
13110-F3-JFFNDR	60W	152.40W
<b>Left End Panel, Sliding Door Front &amp; Right End Panel for Lateral Wall</b>		
13110-F4-HJFNDR	48W	121.92W
13110-F4-JFFNDR	60W	152.40W
<b>Sliding Door Front, End &amp; Back Panel for Longitudinal Left Wall</b>		
13110-F6-HJFNDR	48W	121.92W
13110-F6-JFFNDR	60W	152.40W
<b>Sliding Door Front, End &amp; Back Panel for Longitudinal Right Wall</b>		
13110-F7-HJFNDR	48W	121.92W
13110-F7-JFFNDR	60W	152.40W
<b>Sliding Door Front, End Panel &amp; Sliding Door Back for Longitudinal</b>		
13110-F8-HJFNDR	48W	121.92W
13110-F8-JFFNDR	60W	152.40W

## Top Views of Enclosure Configurations



Section 17



# Classic Bathing Table Laminate Enclosure

## Tub Panels

The Enclosure's panels are manufactured using moisture resistant particle board. All exterior and interior surfaces and edges are laminated with high-pressure plastic laminate.

Enclosure tucks up under the lip of the Classic Bathing Table and clamps to the Table's tubular legs.

The End Panels on the Enclosure are butted to the Sliding Door Front and Back Panel when applicable. This provides a finished look to the Enclosure.

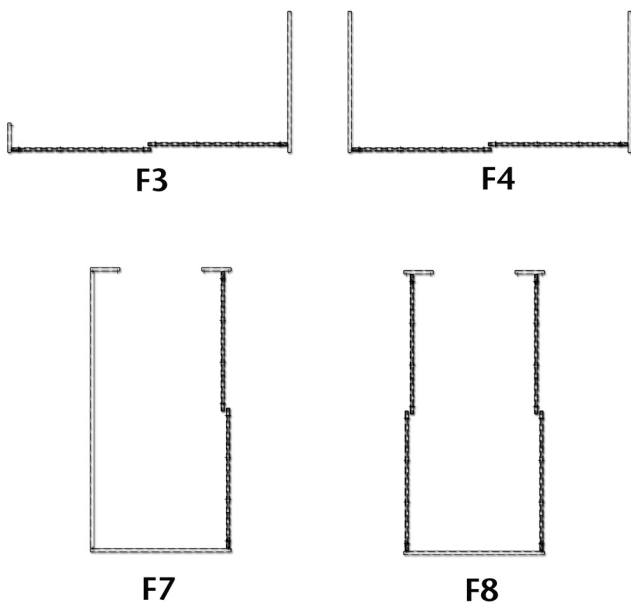
The Sliding Doors are manufactured using moisture resistant particle board, with the exterior and interior surfaces and edges laminated with high-pressure plastic laminate. Finger Pulls allow easy opening and closing.

The Sliding Doors allows easy access to store items under the Classic Bathing Table on the facility's floor.

The Laminate cabinets are easy to maintain.



## Top Views of Enclosure Configurations



## Classic Bathing Table Laminate Accessories

Laminate Front, End or Back Panels give the Classic Bathing Table that finished look to match your decor. The Optional Sliding Panels on the front provide you with additional storage for products and materials. All Enclosure panels are 36-in. (91.44cm) high.

P/N LAMINATE ENCLOSURES	FITS TABLE STYLE	
	Inches	Centimeters
<b>Sliding Door Front for Alcove</b>		
13120-F1-HJFNAT	48W	121.92W
13120-F1-JFFNAT	60W	152.40W
<b>Left End Panel &amp; Sliding Door Front for Left Corner</b>		
13120-F2-HJFNDW	48W	121.92W
13120-F2-JFFNDW	60W	152.40W
<b>Sliding Door Front &amp; Right End Panel for Right Corner</b>		
13120-F3-HJFNDW	48W	121.92W
13120-F3-JFFNDW	60W	152.40W
<b>Left End Panel, Sliding Door Front &amp; Right End Panel for Lateral Wall</b>		
13120-F4-HJFNDW	48W	121.92W
13120-F4-JFFNDW	60W	152.40W
<b>Sliding Door Front, End &amp; Back Panel for Longitudinal Left Wall</b>		
13120-F6-HJFNDR	48W	121.92W
13120-F6-JFFNDR	60W	152.40W
<b>Sliding Door Front, End &amp; Back Panel for Longitudinal Right Wall</b>		
13120-F7-HJFNDR	48W	121.92W
13120-F7-JFFNDR	60W	152.40W
<b>Sliding Door Front, End Panel &amp; Sliding Door Back for Longitudinal</b>		
13120-F8-HJFNDR	48W	121.92W
13120-F8-JFFNDR	60W	152.40W

# Classic Bathing Tables with Access Door and Rotating Ramp

## Bathing Table

One-piece Tub/Side Splash Shields with .750-in. (1.90cm) radius corners, and bottom lip that overlaps the tub edge keeps water away from walls.

Single lever faucet/mixing valve allows you to preset your maximum temperature setting.

.750-in. (1.90cm) radius bends on all sides and bottom give tub a smooth, easy-to-clean interior surface.

.750-in. (1.90cm) covered corners eliminate accumulation of dirt and debris.

Seams are fully crevice-free welded.

All welds are ground smooth, and the entire tub assembly features a uniform, non-glare finish.

3.5-in. (8.89cm) dia. opening for standard drain.

Bottom slopes 1 in. to drain.

Tub is 16-gauge, Type 304 Stainless Steel

Wall-mounted faucets and drains are sold separately, see Faucet Section.

## Design

Exclusive one-piece design incorporates .750-in. covered inside corners and .750-in. radius bends on tub and splash shields

## Base

Tubular legs and crossmembers are Stainless Steel, Type 304, satin-finished.

Crossmember ends are coped following the circumference of the tubing at each joint for strongest fit and are circumference welded.

Stainless Steel adjustable floor levelers help keep table steady on uneven floors.

All welds are ground and polished to a smooth, crevice-free, satin finish.

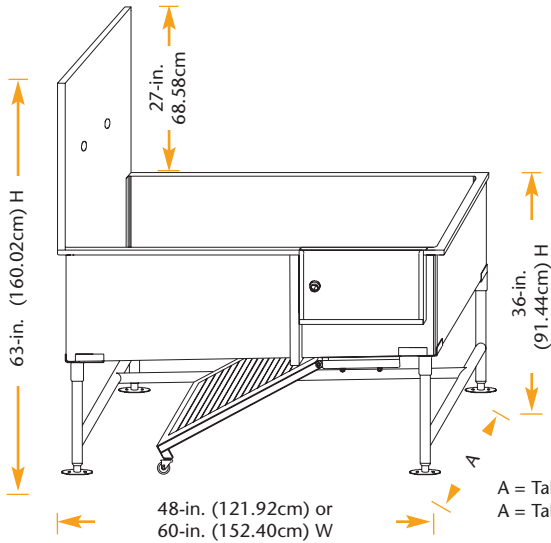
## Access Door & Rotating Ramp

Rotating walk-up ramp has non-slip dura-grid surface which provides traction wet or dry.

Stainless steel hinged door swings in to allow for easy entry and exit. Includes heavy-duty, spring-loaded, self-latching positive door catch designed and used exclusively by Suburban Surgical.

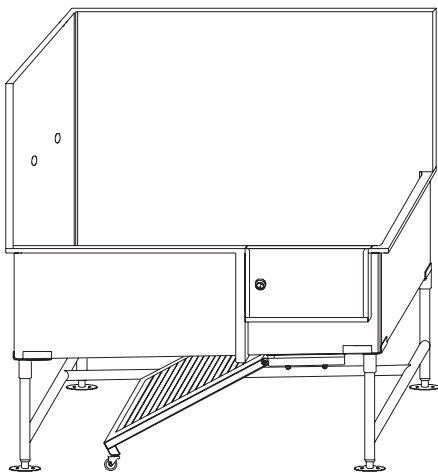
Access door and rotating ramp are available on left or right side.

# Classic Bathing Tables with Access Door and Rotating Ramp



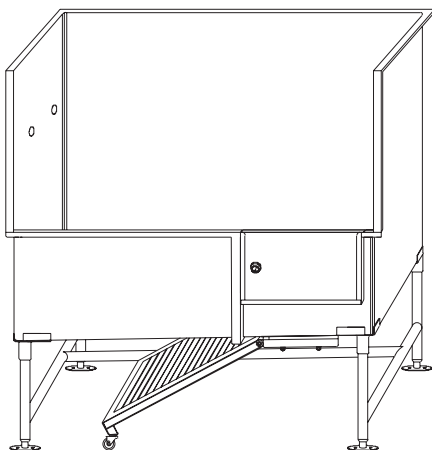
## Tub 15, Drain Left, Access Door Right, Splash Shield Left End with Holes for Faucet

P/N	WIDTH	
	In.	Cm
<b>Holes on 8-in. centers for faucet</b>		
13022-LA-HJJRDR	48W	121.92W
13022-LA-JFJRDR	60W	152.40W
<b>Holes for single lever faucet</b>		
13022-LE-HJJRDR	48W	121.92W
13022-LE-JFJRDR	60W	152.40W



## Tub 15, Drain Left, Access Door Right, Splash Shields Left End & Back, Left End with Holes for Faucet

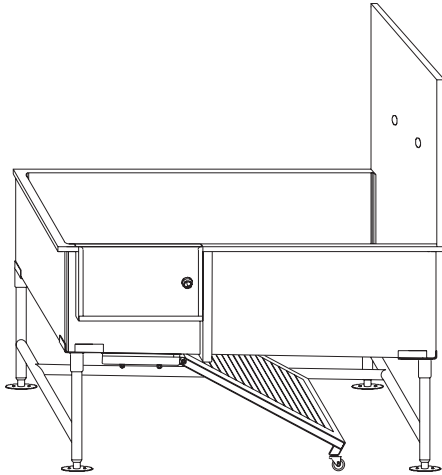
P/N	WIDTH	
	In.	Cm
<b>Holes on 8-in. centers for faucet</b>		
13022-LB-HJJRDW	48W	121.92W
13022-LB-JFJRDR	60W	152.40W
<b>Holes for single lever faucet</b>		
13022-LF-HJJRDW	48W	121.92W
13022-LF-JFJRDR	60W	152.40W



## Tub 15, Drain Left, Access Door Right, Splash Shields Left End, Right End & Back, Left End with Holes for Faucet

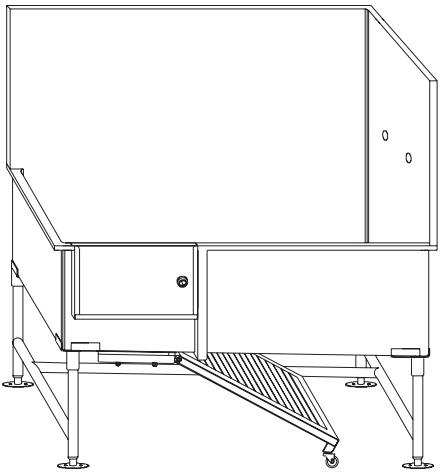
P/N	WIDTH	
	In.	Cm
<b>Holes on 8-in. centers for faucet</b>		
13022-LC-HJJRDW	48W	121.92W
13022-LC-JFJRDR	60W	152.40W
<b>Holes for single lever faucet</b>		
13022-LG-HJJRDW	48W	121.92W
13022-LG-JFJRDR	60W	152.40W

# Classic Bathing Tables with Access Door and Rotating Ramp



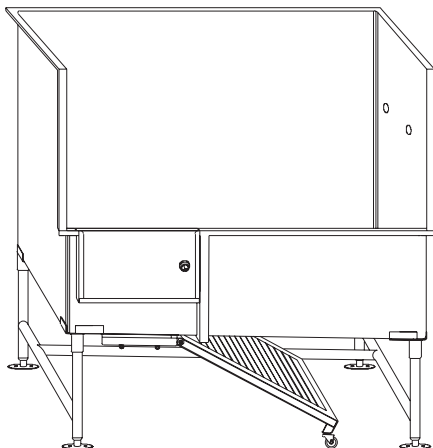
**Tub 15, Drain Right,  
Access Door Left,  
Splash Shield Right End  
with Holes for Faucet**

P/N	WIDTH	
	In.	Cm
<b>Holes on 8-in. centers for faucet</b>		
13023-RA-HJJRDR	48W	121.92W
13023-RA-JFJRDR	60W	152.40W
<b>Holes for single lever faucet</b>		
13023-RE-HJJRDR	48W	121.92W
13023-RE-JFJRDR	60W	152.40W



**Tub 15, Drain Right,  
Access Door Left,  
Splash Shields Right End & Back,  
Right End with Holes for Faucet**

P/N	WIDTH	
	In.	Cm
<b>Holes on 8-in. centers for faucet</b>		
13023-RB-HJJRDW	48W	121.92W
13023-RB-JFJRDW	60W	152.40W
<b>Holes for single lever faucet</b>		
13023-RF-HJJRDW	48W	121.92W
13023-RF-JFJRDW	60W	152.40W



**Tub 15, Drain Right,  
Access Door Left,  
Splash Shields Right End, Left  
End & Back, Right End with  
Holes for Faucet**

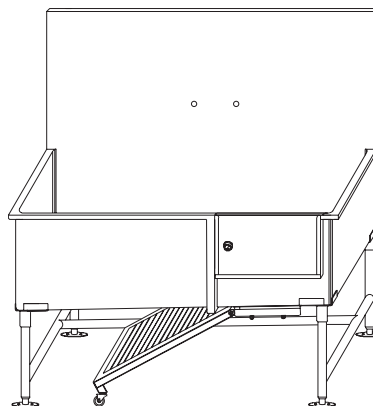
P/N	WIDTH	
	In.	Cm
<b>Holes on 8-in. centers for faucet</b>		
13023-RC-HJJRDW	48W	121.92W
13023-RC-JFJRDW	60W	152.40W
<b>Holes for single lever faucet</b>		
13023-RG-HJJRDW	48W	121.92W
13023-RG-JFJRDW	60W	152.40W



# Classic Bathing Tables with Access Door and Rotating Ramp

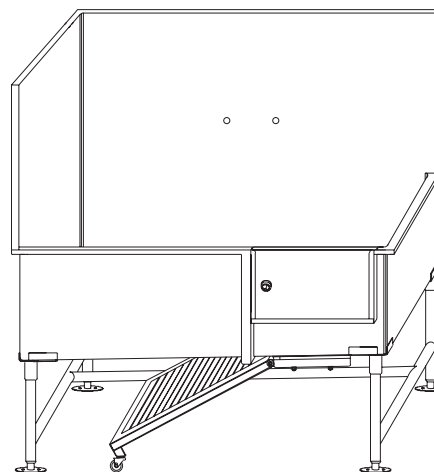
## Tub 15, Drain Left, Access Door Right, Splash Shield Back with Holes for Faucet

P/N	WIDTH	
	In.	Cm
<b>Holes on 8-in. centers for faucet</b>		
13022-BA-HJJRDW	48W	121.92W
13022-BA-JFJRDW	60W	152.40W
<b>Holes for single lever faucet</b>		
13022-BE-HJJRDW	48W	121.92W
13022-BE-JFJRDW	60W	152.40W



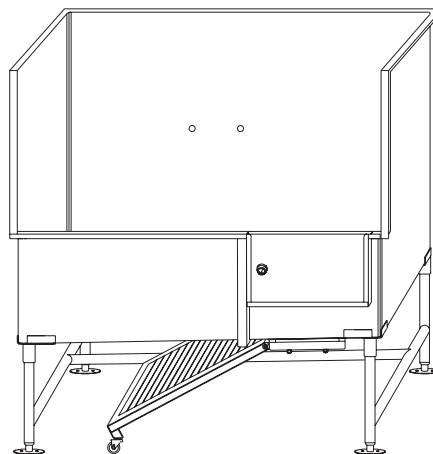
## Tub 15, Drain Left, Access Door Right, Splash Shields Back & Left End, Back with Holes for Faucet

P/N	WIDTH	
	In.	Cm
<b>Holes on 8-in. centers for faucet</b>		
13022-BB-HJJRDW	48W	121.92W
13022-BB-JFJRDW	60W	152.40W
<b>Holes for single lever faucet</b>		
13022-BF-HJJRDW	48W	121.92W
13022-BF-JFJRDW	60W	152.40W



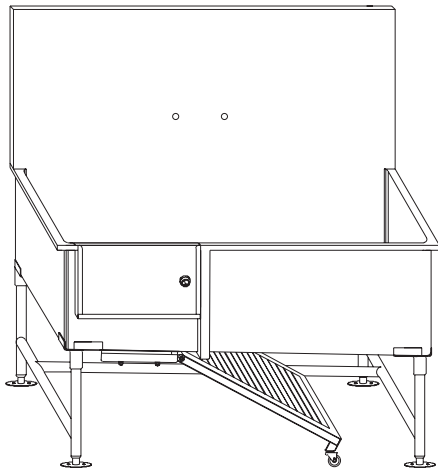
## Tub 15, Drain Left, Access Door Right, Splash Shields Back, Left End & Right End, Back with Holes for Faucet

P/N	WIDTH	
	In.	Cm
<b>Holes on 8-in. centers for faucet</b>		
13022-BD-HJJRDW	48W	121.92W
13022-BD-JFJRDW	60W	152.40W
<b>Holes for single lever faucet</b>		
13022-BH-HJJRDW	48W	121.92W
13022-BH-JFJRDW	60W	152.40W



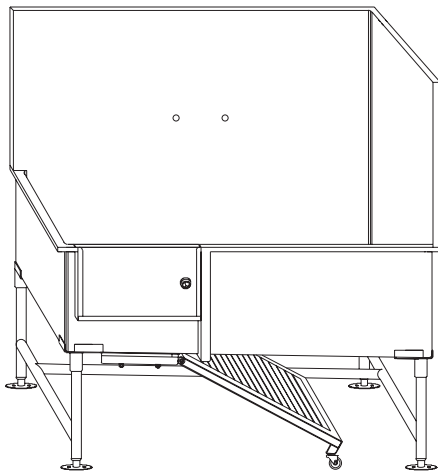


# Classic Bathing Tables with Access Door and Rotating Ramp



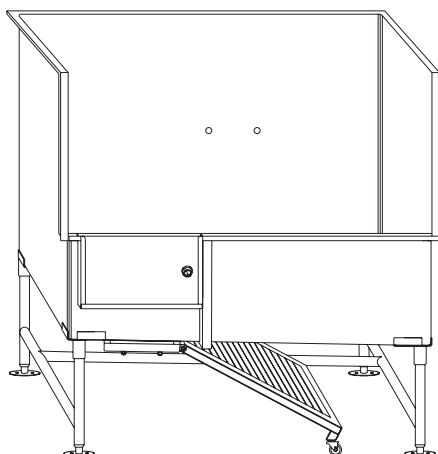
**Tub 15, Drain Right,  
Access Door Left,  
Splash Shield Back with Holes  
for Faucet**

P/N	WIDTH	
	In.	Cm
<b>Holes on 8-in. centers for faucet</b>		
13023-BA-HJJRDW	48W	121.92W
13023-BA-JFJRDW	60W	152.40W
<b>Holes for single lever faucet</b>		
13023-BE-HJJRDW	48W	121.92W
13023-BE-JFJRDW	60W	152.40W



**Tub 15, Drain Right,  
Access Door Left,  
Splash Shields Back & Right End,  
Back with Holes for Faucet**

P/N	WIDTH	
	In.	Cm
<b>Holes on 8-in. centers for faucet</b>		
13023-BC-HJJRDW	48W	121.92W
13023-BC-JFJRDW	60W	152.40W
<b>Holes for single lever faucet</b>		
13023-BG-HJJRDW	48W	121.92W
13023-BG-JFJRDW	60W	152.40W



**Tub 15, Drain Right,  
Access Door Left,  
Splash Shields Back, Left End  
& Right End,  
Back with Holes for Faucet**

P/N	WIDTH	
	In.	Cm
<b>Holes on 8-in. centers for faucet</b>		
13023-BD-HJJRDW	48W	121.92W
13023-BD-JFJRDW	60W	152.40W
<b>Holes for single lever faucet</b>		
13023-BH-HJJRDW	48W	121.92W
13023-BH-JFJRDW	60W	152.40W

# Accessories for Classic Bathing Tables

## Stainless Steel Removable Bottom Racks

Fits into bottom of your bathing tub to give animals better footing during treatments. Allows water and loose hair and debris to flow through and down the drain away from the animal. Heavy-gauge stainless steel rack is welded at all intersections for strength and durability.

P/N	FITS TABLE STYLE		BATHING RACK SIZE (WxHxD)	
	In.	Cm	Inches	Centimeters
13100-00-GLAEDG	48W	121.92W	44.50 x 1.412 x 21.188	113.03 x 3.59 x 53.82
13100-00-IHAEDG	60W	152.40W	56.50 x 1.412 x 21.188	143.51 x 3.59 x 53.82



## Coated Removable Bottom Racks

For greater animal comfort, choose this Coated Bathing Rack. Non-slip PVC coating over expanded metal gives animals surer footing for even greater security during bathing and bathing. Fits into bottom of tub and allows water and loose hair and debris to flow through and down the drain away from the animal.

P/N	FITS TABLE STYLE		BATHING RACK SIZE (WxHxD)	
	In.	Cm	In.	Cm
13101-00-GLAEDG	48W	121.92W	44.50 x 3 x 21.188	113.03 x 7.62 x 53.82
13101-00-IHAEDG	60W	152.40W	56.50 x 3 x 21.188	143.51 x 7.62 x 53.82



## Coated Removable Raised Working Surface

Fits into the top of the Classic bathing tub to raise small animals up for ease of bathing.

P/N	BATHING RACK SIZE (WxHxD)	
	Inches	Centimeters
13102-00-DGAEDG	21.25 x 1.25 x 21.25	53.98 x 3.18 x 53.98

