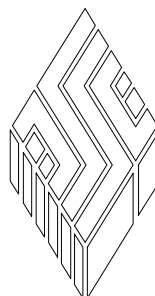




# Double-Station Surgeon Scrub Sink

- *Heavy gauge stainless steel*
- *Heli-arc welded for superior strength*
- *Rounded corners for enhanced cleanliness*
- *Uniform, non-glare finish*

New Model Number: 13321-00-HJDMCX  
Former Model Number: 102985



# SSCI

Wheeling, IL 800 323 7366

# Table of Contents

<b>General Information .....</b>	<b>3</b>
Introduction .....	3
About this Manual .....	3
Information and Safety Notices .....	4
Notes .....	4
CAUTIONS .....	4
Model Numbers .....	4
Available Accessories .....	5
Gooseneck Wall-mounted Faucets .....	5
Faucet Valves .....	5
Basket Strainer Drain Cover .....	5
Parts Ordering Procedure .....	6
Care and Cleaning of Stainless Steel .....	6
Introduction .....	6
Cleaning and Cleansers .....	6
Deodorizing Agents, Disinfectants and Sanitizers .....	7
Effect on Warranty .....	7
Cleaning Requirements .....	7
Suburban Surgical Company Contact Information .....	8
Warranty .....	8
<b>Installation .....</b>	<b>9</b>
General .....	9
Pre-Installation Preparation .....	9
Installation Procedures .....	9
Un-packing and Inspection .....	9
Parts Included .....	9
Tools and Supplies Required .....	10
Installation Sequence .....	10
Determine the Sink Location .....	11
Establish the Plumbing Dimensions .....	11
Finish the Wall .....	12
Install the Sink .....	12
Install Plumbing Fixtures .....	14
<b>Care &amp; Cleaning .....</b>	<b>14</b>
Introduction .....	14
Cleaning Procedures .....	14

---

© Copyright 2004 by **Suburban Surgical Co., Inc.** All rights reserved.

No part of this document may be reproduced or utilized in any form or by any means, electronic or mechanical, including photocopying, recording, or by any information storage and retrieval system without written permission.

Inquiries should be addressed to **Suburban Surgical Co., Inc.**

Wheeling, Illinois 60090, USA

## General Information



### Introduction

A clean surgical scrub area is an essential part of any sanitary, bacteria-free procedure. SSCI makes it easy for you to scrub up with this top-quality Single-Station Surgeon Scrub Sink. The sink features a 10.50-in. (26.67 cm) deep tub, a 12-in. (30.48 cm) high backsplash, and rounded corners to prevent the accumulation of dirt and debris.

Smooth, easy to clean radius bends are present on all interior surfaces, and the continuous rim on three exterior sides adds structural strength. The sink is made of Type 304 stainless steel, features a uniform, non-glare finish, and is heli-arc welded for long life and durability.

SSCI offers a selection of faucets and valves to suit your individual preferences. Take your choice of knee-action or foot-pedal faucet valves to turn water on and off without contaminating your hands. Faucets with electronic on/off sensors are also available for even greater convenience and control.

### About this Manual

Every attempt has been made to insure that the information in this manual is correct and complete. SSCI, however, always welcomes our customer's suggestions for improvements to our products and associated publications.

## Information and Safety Notices

In this manual you will find text under the headings **Note:**, and **CAUTION:**.

### Notes

Under the **Note:** headings, you will be given additional information pertinent to the subject discussed in that paragraph or procedural step.

#### Example:

Hold one side bracket in place against the wall and up under the sink rim, and mark its location on the wall.

**Note:** The side brackets are intended to be load-bearing and must make firm contact with the underside of the sink rim to give proper support.

### CAUTIONS

Under the **CAUTION:** heading, you will be alerted to potentially hazardous conditions which, if ignored or mishandled, could result in minor injury to yourself, or minor damage to the equipment.

#### Example:

**CAUTION: Unpacking and assembling the scrub sink is not difficult. The sink is not heavy, however, handling it can be awkward for one person. We recommend that unpacking and installation be done by at least two people.**

## Model Numbers

The model numbers for the double-station surgeon scrub sink are:

New Model Number: 13321-00-HJDMCX

Former Model Number: 102985

## Available Accessories

The following accessories are available for use with the SSCI single-station surgeon scrub sink. Further information on SSCI products and accessories can be found in our current product catalog. Order a catalog free of charge through SSCI Customer Service at 1-800-323-7366.

### Gooseneck Wall-mounted Faucets

SSCI standard gooseneck faucets operate with either knee-action or foot-pedal valves. For even greater convenience, choose our gooseneck faucet with battery-operated or electric sensor valve. Both include an aerator and all hardware needed for installation.

Description	New Part Number	Former Part Number
Gooseneck faucet with battery-operated electric sensor valve	024643-Z-R-ZZ-ZZZZ-Z	024583
Gooseneck faucet with 120VAC electric sensor valve	024644-Z-R-ZZ-ZZZZ-Z	024584
Gooseneck, wall-mounted faucet	024642-Z-R-ZZ-ZZZZ-Z	024603

**Table 1. Accessories - Faucets**

### Faucet Valves

These valves allow you to turn hot, cold or mixed water on and off without risking contamination by using your hands.

Description	New Part Number	Former Part Number
Knee-action valve	024645-Z-Z-ZZ-ZZZZ-Z	024552
Wall-mounted, foot-pedal valve	024646-Z-Z-ZZ-ZZZZ-Z	024553

**Table 2. Accessories - Valves**

### Basket Strainer Drain Cover

Description	New Part Number	Former Part Number
3.5-in. diameter, stainless steel	024647-Z-Z-ZZ-ZZZZ-Z	024550

**Table 3. Basket Strainer Drain Cover**

## Parts Ordering Procedure

Order new equipment, accessories and/or replacement parts from your local dealer, or directly through SSCI Customer Service. You can order by mail, telephone or fax. Refer to *Contact Information* on *Page 8* for address, telephone and fax numbers. When ordering parts, please provide the following information:

- Your name
- Company name
- Company account number
- Your telephone number
- Shipping address
- Billing address (if different from shipping address)
- Names, part numbers and quantities of items being ordered
- Credit card number and expiration date, or other payment information
- Preferred method of shipment
- Information on whether the items are required on a normal or urgent basis

## Care and Cleaning of Stainless Steel

### Introduction

Stainless steel is steel alloyed with chromium to make it highly resistant to stain, rust and corrosion. **Note:** This does NOT mean that stainless steel will *never* rust or corrode. Science has not yet developed a steel which is completely stainless or corrosion PROOF.

The type of stainless steel and finish selected by SSCI for the double-station surgeon scrub sink is the best available for the intended use.

### Cleaning and Cleansers

The basic rule of thumb is to use the mildest cleaning agent that will do the job effectively. After cleaning, always rinse thoroughly with clear water, and dry completely. Frequent cleaning will prolong the service life of stainless steel equipment and will help maintain a bright, pleasing appearance.

Ordinary deposits of waste and fluids can usually be removed with soap and water. More stubborn deposits or tightly adhering debris may require harder scrubbing and possibly the use of commercial cleaning products acceptable for use on metal surfaces. When using any cleaning agent, rub in the direction of the polish lines or “grain” of the metal. For high luster finishes, clean soft cloths or pads should be used.

If especially rough cleaning is necessary, use “stainless steel” wool, nylon or plastic scrubbers. Test these scrubbers in an inconspicuous area first to be sure they do not mar or scratch the stainless steel finish.

Minor scale build-up and some hard water spotting may be removed by washing with vinegar, followed by a neutralizing rinse with clear water and a thorough drying with a soft cloth. For heavy deposits of scale, 5% oxalic acid (use warm), 5-15% sulfamic acid, or 5-10% phosphoric acid may be used. Always follow with a neutralizing rinse of clean water and a thorough drying.

### **Deodorizing Agents, Disinfectants and Sanitizers**

The large selection of brands and combinations of chemicals available for deodorizing, disinfecting and sanitizing is staggering. Select one or more agents for use in your facility only after weighing all the benefits claimed by each product. Often this choice is made without adequate consideration of the effects these agents may produce on equipment or furnishings.

**CAUTION: Before selecting a chemical to employ in your facility, review label statements regarding use with metals (stainless steel). Always consult the chemical supplier if there are any doubts.**

Avoid prolonged use of chlorides (such as chlorine bleach), bromides, iodides and thiocyanates on stainless steel surfaces as these chemicals will cause pitting, corrosion and metal discoloration. Allowing salty solutions to evaporate and dry on stainless steel may also contribute to corrosive conditions.

In summary, select chemical deodorizers, disinfectants and/or sanitizers only after weighing all possible benefits and known adverse effects.

### **Effect on Warranty**

**The warranty for this product is void if the care and cleaning instructions provided in this manual are not followed.**

### **Cleaning Requirements**

Clean the scrub sink exactly in accordance with the cleaning instructions provided on *Page 14* of this manual.  
*Failure to follow these instructions can void your warranty.*

## Suburban Surgical Company Contact Information

SSCI Customer Service can be contacted via mail, telephone or fax. The department is available from 8:30am to 5:00pm, Central Time, Monday through Friday. Closed holidays.

**Address:** Suburban Surgical Co., Inc.  
275 Twelfth Street  
Wheeling, Illinois 60090

**Telephone:** Illinois - (847) 537-9320, ext. 3518  
Toll Free - 1-800-323-7366

**Fax:** (847) 537-9061

**Web:** [www.suburbansurgical.com](http://www.suburbansurgical.com)

## Warranty

Suburban Surgical Company, Inc. warrants the original purchaser that our products are of the highest standards in material and workmanship. Our stainless steel components are guaranteed to last a lifetime assuming they are used as intended, properly maintained and cared for. Mechanical, electrical, electronic, hydraulic, and any product's devices carry a one year warranty.

Items purchased by Suburban Surgical Company, Inc. from other manufacturers and incorporated into our equipment are covered by the respective manufacturer's warranties.

Warranties will not apply if it is determined by Suburban Surgical Company, Inc. that the equipment became defective due to an accident, misuse, abuse, improper maintenance or alteration. Warranty freight charges are covered for the first year only.



# Installation

## General

This section guides you in installing the SSCI double-station surgeon scrub sink. If you have problems or require additional assistance, please feel free to call SSCI Customer Service at 1-800-323-7366.

## Pre-Installation Preparation

On new construction, we recommend that, prior to finishing the wall, you exactly determine where on the wall the sink will be located. Back up the mounting screw locations with 2" x 6"s. On an existing wall, you may want to open the wall and install these supports. **Note:** These steps are not required for masonry walls.

Use lag screws for mounting into wood, or toggle bolts for mounting into block.

## Installation Procedures

**CAUTION:** Unpacking and installing the scrub sink is not difficult. The sink is not heavy, however, handling it can be awkward for one person. We recommend that unpacking and installation be done by at least two people.

### Un-packing and Inspection

If the shipping container appears damaged in any way, contact the shipping company immediately. Save all damaged packing materials to assist in proving liability for damage.

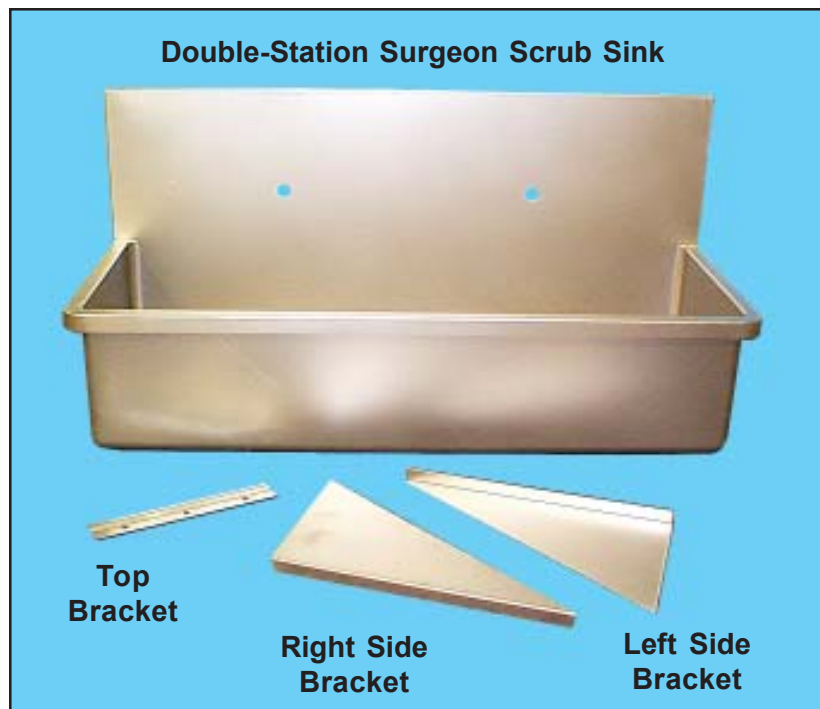
Carefully inspect your scrub sink while you unpack it. If any damage is noted, or if parts appear to be missing, call SSCI Customer Service at 1-800-323-7366.

### Parts Included

Four parts are included in the shipment (Figure 1):

- |   |                                   |            |
|---|-----------------------------------|------------|
| ■ | Double-station surgeon scrub sink | P/N 207025 |
| ■ | Top bracket                       | P/N 601065 |
| ■ | Right side bracket                | P/N 600431 |
| ■ | Left side bracket                 | P/N 601155 |

**Note:** Sink-to-wall mounting hardware is not included



**Figure 1. Parts Included with Double-Station Surgeon Scrub Sink**

## Tools and Supplies Required

You will need the following tools and supplies to install your scrub sink.

- Pen or pencil
- Tape measure
- Carpenter's level
- Power drill with appropriate size bits
- Wrenches or screwdrivers for mounting bolt/screws
- Mounting hardware suitable for wall

## Installation Sequence

We recommend the following installation sequence be followed:

1. Open the wall as necessary to plumb in the faucets, drains and valves (This step is only required on other than new construction.)
2. Determine exactly where you want the sink to be mounted.
3. Mark the required plumbing dimensions.
4. Install the plumbing piping (for faucet, drain, valves)
5. Finish the wall.
6. Install the sink.
7. Finish installation and connection of the faucets, drains and valves.

### Determine the Sink Location

Determine exactly where you want the sink to be mounted. Find the vertical centerline and decide how high above the floor you want the rim of the sink to be (Figures 2 and 3). This is an important step as other plumbing dimensions will be determined from these figures. A rim height of 36 to 40-ins. (approximately 91.5 to 101.5 cm) is usually satisfactory, however, you should select a height that you find comfortable.

### Establish the Plumbing Dimensions

Refer to Figure 3 for faucet plumbing dimensions. Refer to the installation instructions packed with your faucets.

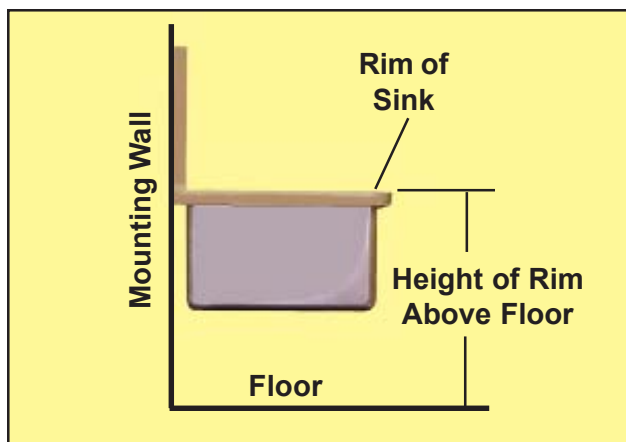


Figure 2. Sink Mounting Height

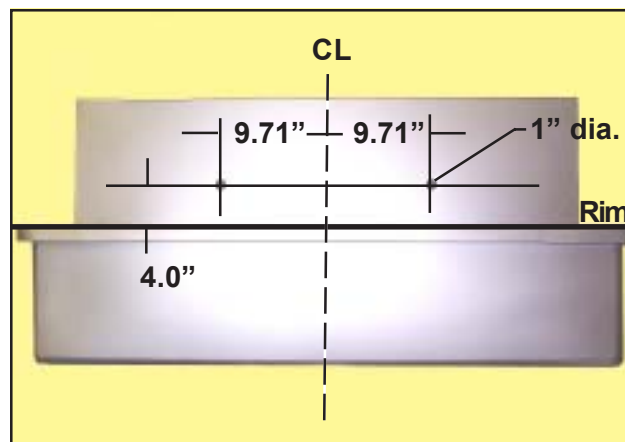


Figure 3. Faucet Piping Dimensions

1. Pipe in the water lines for the faucets. The faucets are centered on the backsplash and 4-in. (10.16 cm) above the rim. They are each 9.71-in. (24.66 cm) from the centerline and, therefore, 19.42-in. (49.35 cm) apart, center-to-center. Each hole is 1-in. (2.54 cm) in. diameter.

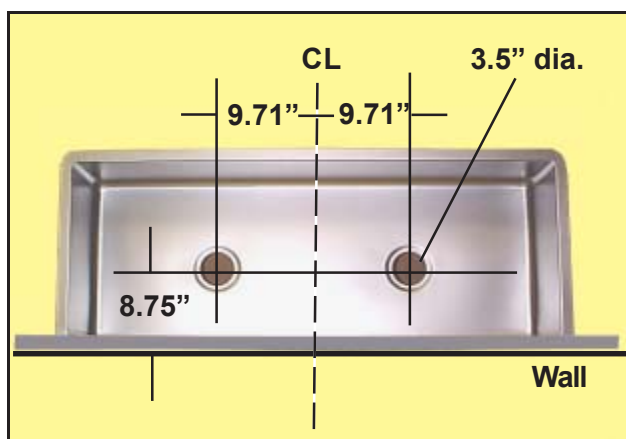


Figure 4. Top View of Sink Showing Drains

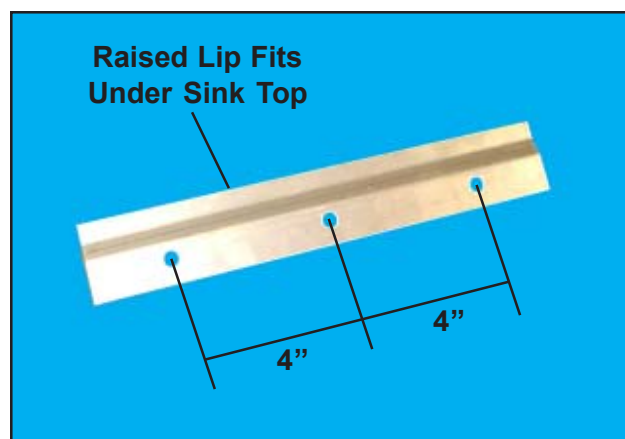


Figure 5. Top bracket

2. Pipe in the drain lines (Figure 4). Remember to leave space under the sink for the foot or knee-activated valves as necessary. The drains align vertically with the faucets, and are about 8.75-in. (22.23 cm) out from the wall. Each drain hole is 3.5-in. (8.89 cm) in diameter.

### Finish the Wall

After all plumbing is complete, the wall can be finished. Be sure to check *Pre-Installation Preparation* on *Page 9* for information on backing up the sink mounting screw locations (not required for masonry walls).

### Install the Sink

1. Hold the sink in place with the faucet holes aligned with the piping and make sure the sink is level.
2. Measure 12-ins. up from the sink rim and mark a horizontal line on the wall. Make sure the line is level.
3. Mark a point on this line centered between the faucet holes.
4. Align the top edge of the top bracket with this line and center it.
5. Hold it in place, make sure it is level, and mark the centers of the three mounting holes on the wall (Figure 5).

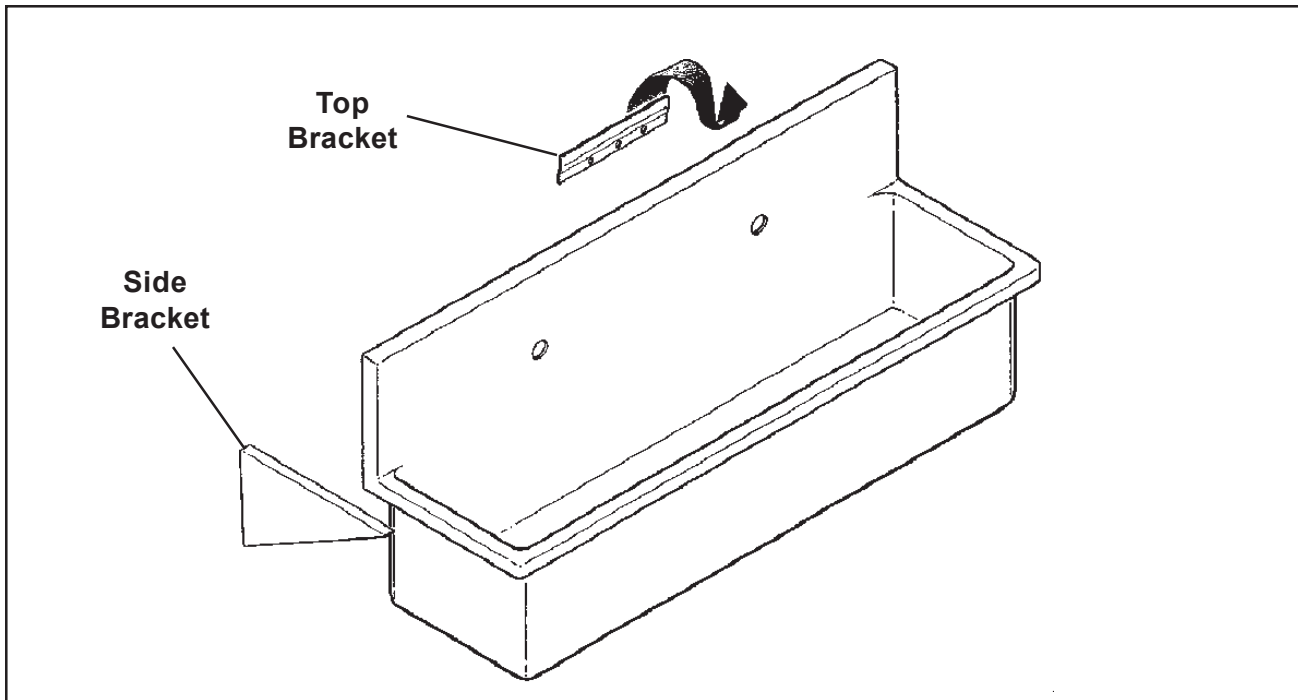


Figure 6. Sink Installation Plan

6. Drill these three holes into the wall.
7. Mount the bracket to the wall.
8. Hang the sink onto the bracket and make sure it is centered and level.

**Note:** The side brackets are not symmetrical. Mount them so that the flanges on the top and rear face inward.

9. Hold one side bracket in place against the wall and up under the sink rim, and mark its location on the wall.  
**Note:** The side brackets are intended to be load-bearing and must make firm contact with the underside of the sink rim to give proper support.

10. Repeat *Step 9* with the other side bracket.

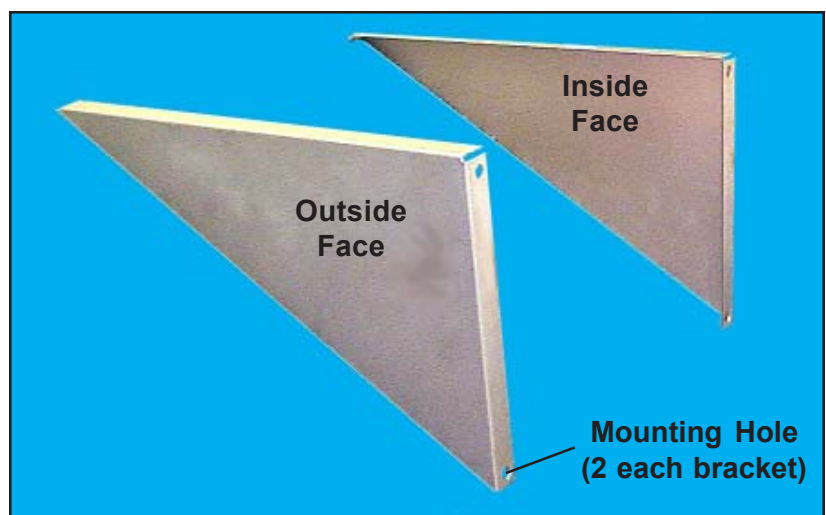
11. Remove the sink from the wall.

12. Hold each side bracket to the markings you made on the wall, and mark the locations of the two mounting holes.

13. Drill these holes onto the wall.

14. Mount both side brackets to the wall.

15. Hang the sink onto the top bracket and side brackets.



**Figure 7. Side Brackets**

## Install Plumbing Fixtures

Install the faucets, valves and drains according to the instructions packed with the items.

*Installation is complete. Your double-station surgeon scrub sink is now ready for use.*

# Care & Cleaning

## Introduction

You will no doubt want to clean your scrub sink frequently. Maintaining high standards of sanitation will be an important priority for your facility.

## Cleaning Procedures

Rinse the sink with clear water and dry thoroughly with clean, soft cloths.

Ordinary deposits of waste and fluids can usually be removed with soap and water. Stubborn deposits may require scrubbing with "stainless steel" wool, nylon or plastic scrubbers and/or the use of commercial cleaning products. Always scrub in the direction of the "grain" of the metal. Rinse with clear water and dry thoroughly with clean, soft cloths.

Minor scale build-up and some hard water spotting may be removed by washing with vinegar, followed by a neutralizing rinse of clear water and a thorough drying with clean, soft cloths.

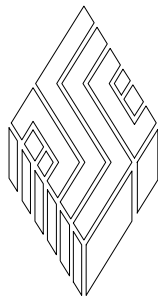
For heavy deposits of scale, 5% oxalic acid (use warm), 5-15% sulfamic acid, or 5-10% phosphoric acid may be used. As always, rinse with clear water and dry thoroughly with clean soft cloths.

Avoid prolonged use of chlorides (such as chlorine bleach), bromides, iodides and thiocyanates. Never allow salty solutions to dry on the stainless steel.

**CAUTION: The warranty for this product is void if the care and cleaning instructions provided in this manual are not followed.**



***For more information on SSCI's fine line of products and accessories, talk to your SSCI sales representative.***



**SSCI**

**Suburban Surgical Company, Inc.**

**275 Twelfth Street**

**Phone: (847) 537-9320**

**Toll Free: 1-800-323-7366**

**Wheeling, IL 60090**

**Fax: (847) 537-9061**

**Web: [www.suburbansurgical.com](http://www.suburbansurgical.com)**

Form No. 702711 02/04