



Tote-AI Case Carts, Single-door Models

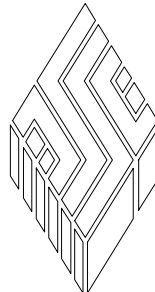
- *Durable, heli-arc welded, stainless steel*
- *33 in., 48 in., and 60 in. cabinet heights*
- *Wide selection of shelf and drawer options*
- *External or recessed handles*

New Model Numbers:

105482-00 105483-00 105487-00 105582-00 105583-00 105587-00

Former Model Number:

105587-00



SSCI

Wheeling, IL (800) 323 7366

© Copyright 2006 by **Suburban Surgical Co., Inc.** All rights reserved.

No part of this document may be reproduced or utilized in any form or by any means, electronic or mechanical, including photocopying, recording, or by any information storage and retrieval system without written permission.

Inquiries should be addressed to **Suburban Surgical Co., Inc.**
Wheeling, Illinois 60090, USA

Table of Contents

Chapter 1 - General Information	1
Introduction	1
About this Manual	1
Information and Safety Notices	2
Notes	2
CAUTIONS	2
SSCI Contact Information	2
Models	3
Cabinet Sizes	3
Handle Options	3
Model Part Numbers	4
Shelf Options	4
Top Extensions	5
Accessories	5
General	5
Optional Drawers	6
Returning the Case Cart for Repairs	7
RMA Numbers	7
Packing and Shipment	7
Warranty	7
 Chapter 2 - Unpacking and Assembly	 9
General	9
Unpacking and Inspection	9
Shelf Installation	9
Adjustable Shelves	9
Roll-out Shelves	10
 Chapter 3 - Using Your Case Cart	 13
Opening, Latching, and Closing the Door	13
Opening the Door	13
Latching the Door in the Full-open Position	13
Unlatching the Door from the Full-open Position	13
Closing the Door	13
Rolling Shelves	14
In and Out	14
Removing and Replacing Roll-out Shelves	14
Using Roll-out Shelves	14
Locking and Releasing Roll-out Shelves	14
Rolling Shelves In and Out	14

Removing and replacing Toll-out Shelves	14
Removal	14
Replacement	15
Adjusting Shelf Height	16
Adjustable Shelves	16
Roll-out Shelves	16
Removing and Replacing Shelves	17
Adjustable Shelves	17
Roll-out Shelves	17
Using the Caster Swivel Locks	17
Locking the Swivel	17
Unlocking the Swivel	18

Chapter 4 - Repairs and Replacements 19

Replacement Parts	19
General	20
Parts Ordering Procedure	20
Parts Replacement Procedures	21
Removing and Installing a Case Cart Door	21
Overview	21
Removal	21
Installation	21
Lower Door Hinge	22
Overview	22
Tools Required	22
Procedure	22
Casters	23
Overview	23
Tool Required	23
Procedure	23
Latch Striker Plate	24
Overview	24
Tools Required	24
Procedure	24
Handle Catch	25
Overview	25
Tools Required	25
Procedure	25
Knob Handle	26
Latch Bolt	26
Latch Bolt Spring	26
Overview	26
Tool Required	26
Procedure	26

Bumper (Complete with Vinyl Insert)	27
Overview	27
Tools Required	27
Procedure	27
Adjustable Shelf	28
Overview	28
Procedure	28
Roll-out Shelf	28
Overview	28
Procedure	28
Roll-out Shelf Track	28
Overview	28
Procedure	28
Rollers for Roll-out Shelves and Tracks	29
Overview	29
Tools Required	29
Procedure	29
Care of Wheel/Caster Assemblies	30
Overview	30
Inspection	30
Equipment Frames and Fasteners	30
Casters	30
Wheels	30
Swivel Locks	31
Lubrication	31
Recommended Lubricants	31
Power Towed Operation	31

Chapter 1 - General Information



Introduction

An SSCI Case Cart is ideal for keeping all the supplies needed for individual procedures close at hand. Simply load it with sterile instruments, surgical packs, surgical drapes, sutures, and other supplies and wheel it to the surgical suite. When the procedure is complete, all items delivered to the surgical suite within the Case Cart are to be repackaged inside the Case Cart for return to the sterile processing department. Then, after washing, quickly and easily restock the Case Cart with sterile instruments, surgical packs, surgical drapes, sutures, and other supplies for the next surgical procedure or emergency.

You will appreciate the exceptional quality of SSCI's stainless steel Case Carts. We start with heavy-gauge, Type 304 stainless steel, formed, heli-arc welded, and then polished to a smooth, even finish. We then incorporate a host of construction features for industrial-strength durability and exceptionally easy care.

SSCI Tote-AI Case Carts can be designed and sized with couplers and signage compatible with all cart transfer and lift systems.

About this Manual

Every attempt has been made to insure that the information in this manual is correct and complete. SSCI, however, always welcomes our customer's suggestions for improvements to our products and associated publications.

Information and Safety Notices

In this manual you will find text under the headings **Note:**, and **CAUTION:**.

Notes

Under **Note:** headings, you will be given additional information pertinent to the subject discussed in that paragraph or step.

Example:

Stainless steel is steel alloyed with chromium to make it highly resistant to stain, rust, and corrosion.

Note: This does NOT mean, however, that stainless steel will *never* rust or corrode.

CAUTIONS

Under **CAUTION:** headings, you will be alerted to potentially hazardous conditions which, if ignored or mishandled, could result in injury to yourself or damage to the equipment.

Example:

CAUTION: Unpacking the case cart is not difficult. The cart is heavy, however, and handling it can be awkward for one person. We recommend that unpacking be done by at least two people.

SSCI Contact Information

Contact SSCI Customer Service by mail, telephone, or fax. The department is available from 8:30am to 5:00pm, Central Time, Monday through Friday. Closed holidays.

Address: Suburban Surgical Co., Inc.
275 Twelfth Street
Wheeling, Illinois 60090

Telephone: Illinois - (847) 537-9320, ext. 3518
Toll Free - (800) 323-7366

Fax: (847) 537-9061

Web: www.suburbansurgical.com

Models

There are six basic models of single-door case carts varying by cabinet size and handle options. All doors are hinged left. Carts can be configured with one or two optional shelves.

Cabinet Sizes

Case cart cabinets are all 24.867 in. long and 24 in. wide. Carts are available in three cabinet heights: 33 in., 48 in., and 63 in.

Handle Options

Four handle options are available for your case cart:

- **Style A** - Recessed handle, near the top of the case cart - for 33 in. high cabinets (Figure 1).
- **Style B** - Recessed handle, spaced down from the top of the case cart - for 48 in. and 63 in. high cabinets (Figure 2).
- **Style C** - External handle, near the top of the case cart - for 33 in. high cabinets (Figure 3).
- **Style D** - External handle, spaced down from the top of the case cart - for 48 in. and 63 in. high cabinets (Figure 4).



Figure 1. Style A Handles



Figure 2. Style B Handles

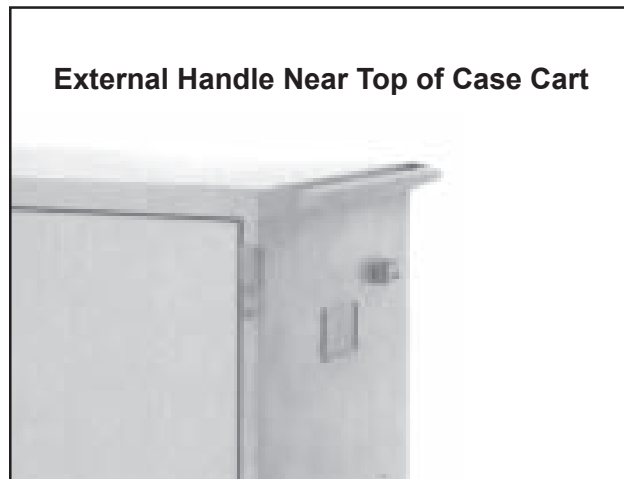


Figure 3. Style C Handles



Figure 4. Style D Handles

Model Part Numbers

The SSCI part numbers, handle styles, and dimensions of the six single-door case carts are listed in Table 1.

Cart Part Number	Handle Style	Cabinet Dimensions			Overall Dimensions		
		Length	Width	Height	Length	Width	Height
105487-00	A	24.867"	24"	33"	28.625"	27.375"	39.375"
105482-00	B	24.867"	24"	48"	28.625"	27.375"	54.375"
105483-00	B	24.867"	24"	63"	28.625"	27.375"	69.375"
105587-00	C	24.867"	24"	33"	30.625"	27.375"	39.375"
105582-00	D	24.867"	24"	48"	30.625"	27.375"	54.375"
105583-00	D	24.867"	24"	63"	30.625"	27.375"	69.375"

Table 1. Single-door Case Carts - Part Numbers and Dimensions

Shelf Options

SSCI provides a variety of shelving options for your case cart. Three types of shelves are available: wire, solid, and perforated. All three types are available in adjustable or roll-out styles. All shelves, both adjustable and roll-out, are adjustable for height. Wire shelves are stainless steel rod, heli-arc welded at all intersections. Solid and perforated shelves are 18 gauge, stainless steel.

Figure 5 shows a single-door case cart with adjustable wire shelves, and Figure 6 shows a similar cart with roll-out wire shelves.

Part numbers for the various shelf options are shown in Table 2.



Figure 5. Single-door Case Cart with Adjustable Wire Shelves



Figure 6. Single-door Case Cart with Roll-out Wire Shelves (Rollers Shown in Inset)

Shelf Option	SSCI Part Number
Wire Shelf, Adjustable	220300-00
Solid Shelf, Adjustable	220310-00
Perforated Shelf, Adjustable	220320-00
Wire Shelf, Roll-out	220330-00
Solid Shelf, Roll-out	220340-00
Perforated Shelf, Roll-out	220350-00

Table 2. Single-door Case Carts - Shelf Options Part Numbers

Top Extensions

New single-door case carts can be ordered with extended tops. These extensions increase the length of the top by 14.125 in. on each end (Figure 7). The extension tops are 18 gauge, stainless steel. Extension top part numbers are shown in Table 3.



Figure 7. Extended Top

Cart Part Number	Extension Top Part Number
105487-00 105482-00 105483-00	220400-00
105587-00 105582-00 105583-00	220410-00

Table 3. Extension Top Part Numbers

Accessories

General

A variety of accessories can be ordered to increase the functionality of your case cart:

- Card holders (open on top edge):
 - 5 in. W x 3 in. H - 600013
 - 6 in. W x 4 in. H - 603673
 - 8 in. W x 5 in. H - 601495
 - Custom-sized card holders available
- Two-digit signage plates - 617375
- Sign "THIS END ENTERS LIFT FIRST" - 610794
- Sign "OTHER END ENTERS LIFT FIRST" - 617525
- Drawers (refer to *Optional Drawers* on Page 6)

Optional Drawers

Two types of optional drawers are available for the case cart: drawers that mount inside the cart under the top (Figure 8), and drawers that mount under one of the shelves (Figure 9). Drawers are made of ABS or fiberglass reinforced plastic. All runners are stainless steel.

ABS drawers can be ordered ribbed with vertical channels to accommodate divider strips, or non-ribbed. Fiberglass reinforced plastic drawers can be autoclaved to 250° F. constant.



Figure 8. Optional Drawer Mounted Under the Case Cart Top



Figure 9. Optional Drawer Mounted Under a Shelf

Drawer Location	ABS	Fiberglass Reinforced Plastic
Under Case Cart Top	220430-240	220435-240
Under Adjustable Wire Shelf	220431-240	220436-240
Under Adjustable Solid & Perforated Shelves	220432-240	220437-240
Under Roll-out Wire Shelf	220433-240	220428-240

Table 4. Part Numbers for Optional Drawers

Returning the Case Cart for Repairs

RMA Numbers

If your case cart should require return to SSCI for repairs, discuss the problem with one of our Customer Service Representatives. Obtain an RMA number (Return Merchandise Authorization) from them before shipping the unit back.

Note: Merchandise returned without an RMA number will not be accepted.

Packing and Shipment

Package the case cart securely, and ship documentation with the cart including:

- Destination
- RMA Number
- Your name, company, and address
- Your telephone number
- A description of the reason for returning the cart

Warranty

Suburban Surgical Company, Inc. warrants the original purchaser that all equipment manufactured by Suburban Surgical Company, Inc. will be of the highest standards in material and workmanship. All equipment manufactured by Suburban Surgical Company, Inc. will be warrantied for a period of one (1) year from the date of shipment from the factory.

Components and casters Suburban Surgical Company, Inc. purchases from other manufacturers will be covered by the respective manufacturer's Warranty.

Warranties will not apply if it is determined by Suburban Surgical Company, Inc. that the equipment became defective due to an accident, misuse, abuse, or alteration. Warranties do not include freight charges for replacement or repair.

Chapter 2 - Unpacking and Assembly

General

SSCI Case Carts are shipped fully assembled except for optional shelves which must be installed on-site. If you have problems or require additional assistance, please feel free to call SSCI Customer Service at (800) 323-7366.

Unpacking and Inspection

CAUTION: Unpacking the case cart is not difficult. The cart is heavy, however, and handling it can be awkward for one person. We recommend that unpacking be done by at least two people.

If the shipping container appears damaged in any way, contact the shipping company immediately. Save all damaged packing materials to assist in proving liability for damage.

Carefully inspect your case cart while you unpack it. If any damage is noted, or if parts appear to be missing, call SSCI Customer Service at (800) 323-7366.

Shelf Installation

Wire, solid, and perforated shelves are all installed in the same way. There are differences, however, in the installation procedures for adjustable and roll-out shelves.

Adjustable Shelves

Observe the shelf (Figure 10) and notice that on the front and rear shelf rods, the left end is straight and the right end is bent down at a 90° angle. Also note that the rear of the shelf is flanged *up* (to keep items from falling off when the shelf is moved), and the front is flanged *down*. Notice also, the vertical shelf bracket mounted to each inside corner of the cart (Figure 11). A series of oblong holes in the vertical brackets are spaced about three inches apart. The ends of the shelf rods fit into these holes. To install adjustable shelves:

1. Open the case cart door.
2. Put the shelf into the cabinet (flanged-up side to the rear) with the right side tilted up at about a 45° angle.
3. Place the straight (left) rod ends into the holes in the left front and rear vertical brackets at the desired level.

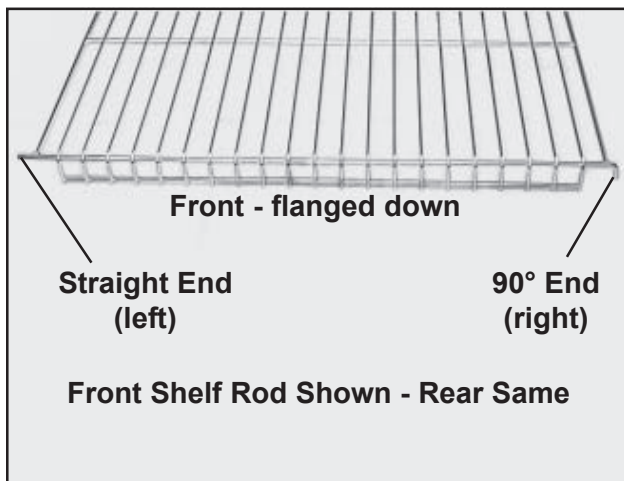


Figure 10. Adjustable Shelf

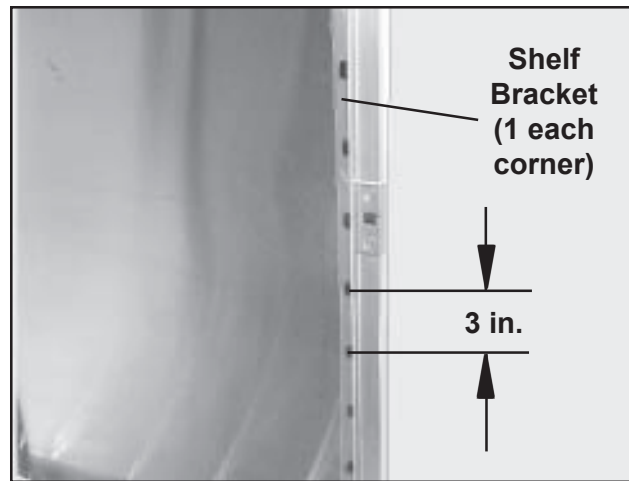


Figure 11. Shelf Bracket

4. Lower the 90° ends (right) and engage the rod ends into the right vertical bracket holes. **Note:** Make sure the shelf is level side-to-side and front-to-rear.

Roll-out Shelves

Mounting a roll-out shelf is a two-step procedure: (1) mounting the two roll-out shelf tracks, and (2) installing the shelf.

Notice the vertical shelf bracket mounted to each inside corner of the cart (Figure 11). A series of oblong holes in the vertical brackets are spaced about three inches apart. The hooks on the roll-out shelf tracks fit into these holes. To install roll-out shelves:

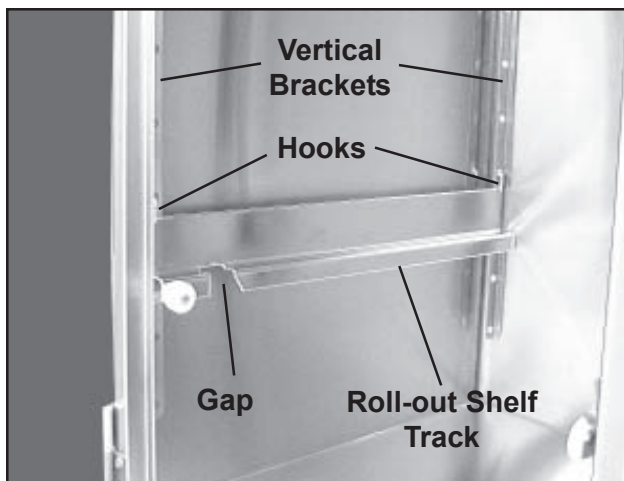


Figure 12. Roll-out Shelf Track and Vertical Brackets

1. Open the case cart door.
2. Make sure that the shelf lock is pivoted up to the release position (Figure 15).
3. Hook both roll-out shelf tracks to the front and rear vertical brackets at the desired level (Figure 12). **Note:** Make sure that the gaps in the roll-out shelf tracks are to the front.
4. Tilt the front of the shelf upward to almost vertical, and insert the rear edge into the cabinet.
5. Slide the lower rollers down through the gaps in the roll-out shelf tracks.

6. Lower the front of the shelf to near horizontal.
7. When all rollers are properly positioned, roll the shelf back into the cabinet.
8. Slide the shelf back and forth a few times to make sure it operates smoothly.
9. Slide the shelf all the way into the cabinet.
10. Pivot the shelf lock down to the lock position (Figure 16).
11. Close the door.

Chapter 3 - Using Your Case Cart

Opening, Latching, and Closing the Door

Opening the Door

To open the door, push the knob handle to the left (Figure 13) and swing the door open.

Latching the Door in the Full-open Position

The door can be opened a full 270° to lie flat against the side of the cart and can be latched in that position for greater convenience when loading or cleaning. When latched, the knob handle engages either a catch on the side of the cart (Figure 14) or the recessed handle (depending on case cart model) and is held in the full-open position.

Unlatching the Door from the Full-open Position

Press in on the latch tongue (Figure 14) and pull the door free of the catch (or recessed handle).

Closing the Door

The door can be pushed closed and will lock. It may be easier, however, to press the knob handle to the left and then push the door closed.



Figure 13. Opening the Door

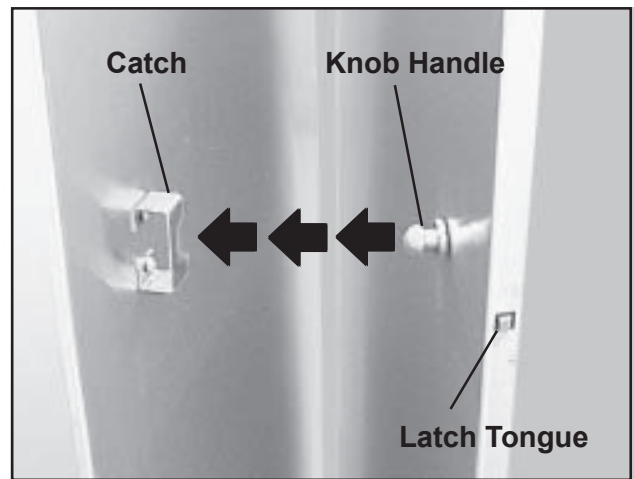


Figure 14. Latching the Door in the Full-open Position

Using Roll-out Shelves

Locking and Releasing Roll-out Shelves

The following information is valid for wire, solid, and perforated shelves.

Roll-out shelves have a built-in lock to hold them securely in place so that they do not roll out of the cabinet when not intended. A two-position pivot lock located on the front of the shelf on the right side holds the shelves in place, or releases them when required. Pivot the lock up to release the shelf (Figure 15), or down to lock it (Figure 16).

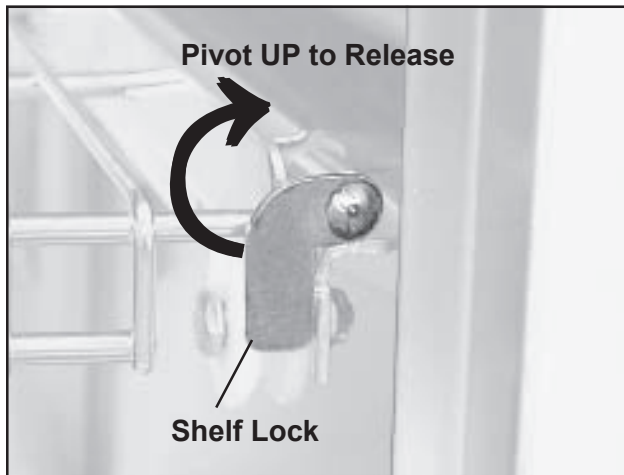


Figure 15. Shelf Lock in Lock Position



Figure 16. Shelf Lock in Release Position

Rolling Shelves In and Out

Roll-out shelves ride on polyethylene rollers and, when rolled out, extend 14.75 in. past the cart's face to a positive stop preventing accidental removal. The rear edge of each shelf is flanged up to prevent stored items from falling off the back as the shelf is rolled out.

Before attempting to roll the shelf out, pivot the shelf lock upward to the release position (Figure 15). After rolling the shelf back into the cabinet, be sure to pivot the shelf lock down to the lock position (Figure 16).

Removing and Replacing Roll-out Shelves

It will occasionally be necessary to remove a roll-out shelf for cleaning, height adjustment, etc.

Removal

1. Open the cabinet door and latch it back (Figure 14).
2. Pivot the shelf lock up to the release position (Figure 15).

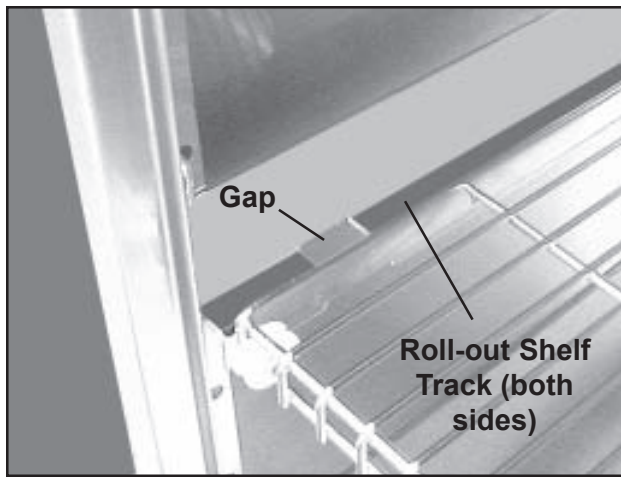


Figure 17. Roll-out Shelf Track

Note: The shelf rollers ride on a roll-out shelf track on either side of the cabinet. Notice that on each track there is a 1.25 in. gap about 2.5 in. back from the front end (Figure 17).

3. Roll the shelf out until the front lower rollers approach the gaps.
4. Tilt the shelf up and pull it outward, allowing the lower rollers to come out through the gaps.
5. Remove the shelf from the cabinet.

Replacement

1. Tilt the front of the shelf upward to almost vertical and insert the rear edge into the cabinet.
2. Slide the lower rollers through the gaps in the roll-out shelf tracks.
3. Lower the front of the shelf to horizontal.
4. When all rollers are properly positioned, roll the shelf back into the cabinet.
5. Slide the shelf back and forth a few times to make sure it operates smoothly.
6. Slide the shelf all the way into the cabinet.
7. Pivot the shelf lock down to the lock position (Figure 16).
8. Close the door.

Adjusting Shelf Height

Adjustment points are provided in the case cart to allow you to adjust the shelves up and down to suite your needs. Shelf positions are spaced about 3 in. apart, and the number of positions varies with the height of the cabinet. Both adjustable and roll-out shelves can be adjusted for height.

Adjustable Shelves

Observe the shelf (Figure 18) and notice that on the front and rear shelf rods, one end is straight and the opposite end is bent down at a 90° angle. Notice also, the vertical shelf bracket in each inside corner of the cart (Figure 19). A series of oblong holes in the vertical brackets are spaced about three inches apart. The ends of the shelf rods fit into these holes.

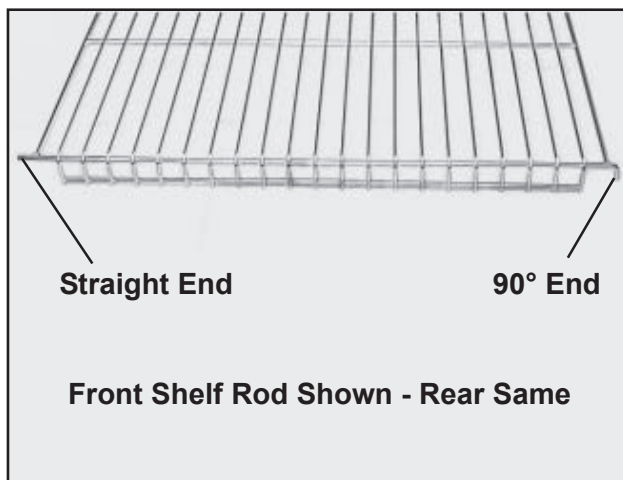


Figure 18. Adjustable Shelf

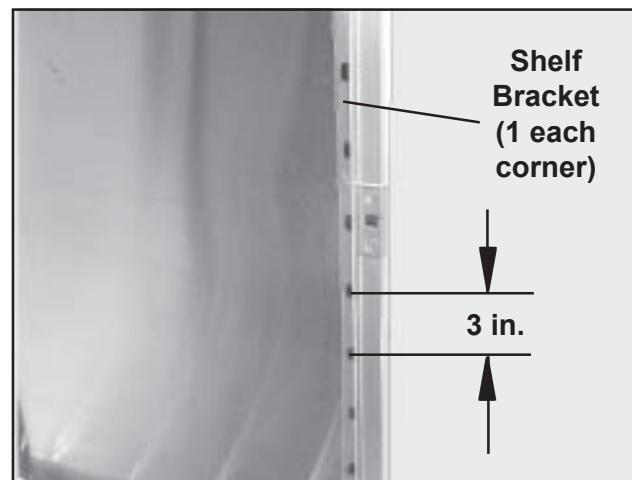


Figure 19. Shelf Bracket

To move a shelf to a different level:

1. Lift up on the side of the shelf with the 90° rod ends until you can remove the straight rod ends from the bracket holes.
2. Place the straight ends into the holes at the desired level.
3. Lower the 90° ends and engage rod ends into the new holes. **Note:** Make sure the shelf is level side-to-side and front-to-rear.

Roll-out Shelves

Altering the height of a roll-out shelf requires removal of the shelf from the cabinet. To alter the shelf height:

1. Remove the shelf from the cabinet (refer to *Removing and Replacing Roll-out Shelves - Removal, Steps 1 through 5, starting on Page 14*).

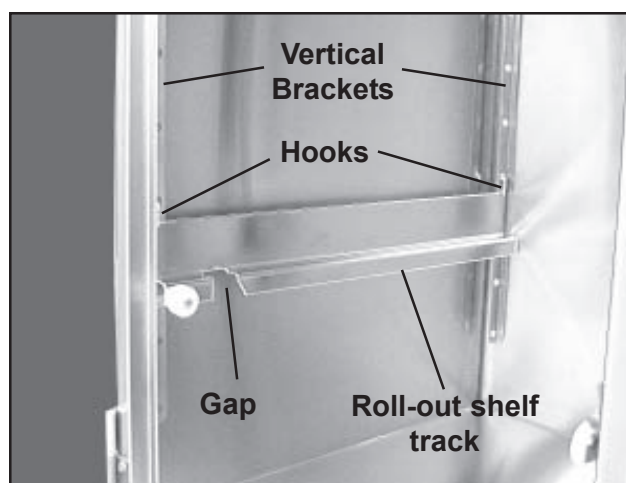


Figure 20. Roll-out Shelf Track and Vertical Brackets

2. Lift up on the roll-out shelf track and unhook it from the front and rear vertical brackets (Figure 20). Do this for both roll-out shelf tracks.
3. Hook both roll-out shelf tracks to the front and rear vertical brackets at the desired level.
4. Replace the shelf onto the roll-out shelf tracks (refer to *Removing and Replacing Roll-out Shelves - Replacement, Steps 1 through 8 on Page 15*). **Note:** Make sure the shelf is level side-to-side and front-to-rear.

Removing and Replacing Shelves

It may occasionally be necessary to remove a shelf for cleaning, height adjustment, etc. Removing and replacing the case cart shelves are simple and easy.

Adjustable Shelves

To remove and replace an adjustable shelf, follow the instructions under *Adjusting Shelf Height - Adjustable Shelves on Page 16*.

Roll-out Shelves

To remove and replace a roll-out shelf, follow the instructions under *Removing and Replacing Roll-out Shelves - Removal, Steps 1 through 5, starting on Page 14*.

Using the Caster Swivel Locks

Two of the four casters on each case cart are equipped with swivel locks to insure that the case cart runs straight without turning. The casters with swivel locks are located on diagonally opposite corners of the cart (Figure 21).

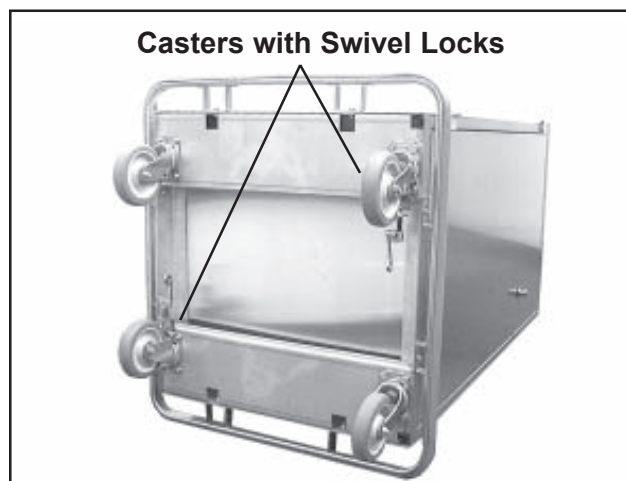


Figure 21. Typical Case Cart

Locking the Swivel

To lock the swivel and prevent the caster from turning, place the swivel lock (Figure 22) in the straight out position. In this position, the end of the lock enters a notch in the swivel body and prevents it from turning.

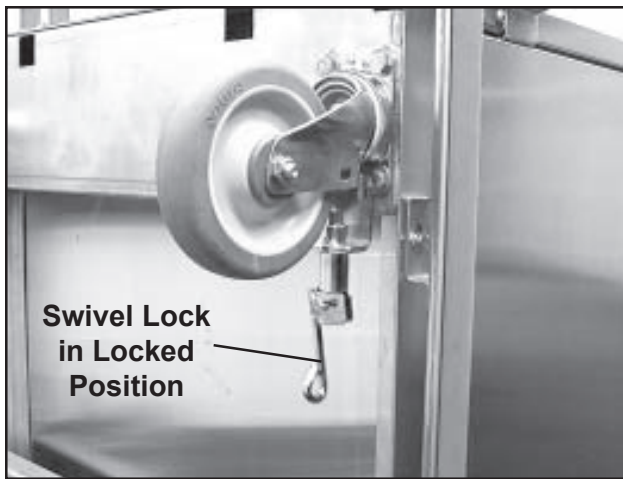


Figure 22. Caster with Swivel Lock - Locked

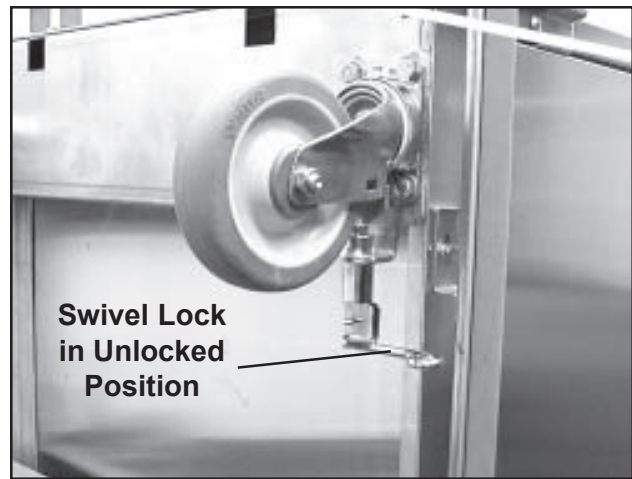


Figure 23. Caster with Swivel Lock - Unlocked

Unlocking the Swivel

To unlock the swivel and allow the castor to turn, place the swivel handle in the 90° position (Figure 23).

Chapter 4 - Repairs and Replacements

Replacement Parts

Table 5 lists the replacement parts available for the case cart. For parts not listed below, contact SSCI Customer Service at (800) 323-7366. Refer to *Parts Ordering Procedure* on Page 20.

Part Name	SSCI Part Number	Quantity	Replacement Instructions
Lower Door Hinge	603485	2	Page 22
Caster, w/ Swivel Lock	C001-31011110-FAA00	2	Page 23
Caster, w/o Swivel Lock	C001-21011110-FAA00	2	Page 23
Latch Striker Plate	33" H Cabinets - 608088 48" & 63" H Cabinets - 600734	1	Page 24
Handle Catch	On Case Carts with External Handles only - 616380	1	Page 25
Knob Handle	202499	1	Page 26
Latch Bolt	751549	1	Page 26
Latch Bolt Spring	852406	1	Page 26
Bumper, Complete	Recessed Handle Models - 203072 External Handle Models - 203072E	1	Page 27
Adjustable Wire Shelf	220300-00	can vary	Page 28
Adjustable Solid Shelf	220310-00	can vary	Page 28
Adjustable Perforated Shelf	220320-00	can vary	Page 28
Roll-out Wire Shelf	220330-00	can vary	Page 28
Roll-out Solid Shelf	220340-00	can vary	Page 28
Roll-out Perforated Shelf	220350-00	can vary	Page 28
Roll-out Shelf Track	Left - 210007 Right - 210008	1 each/Shelf	Page 28
Rollers for Shelf & Track	refer to Figure 24 on Page 20		Page 29

Table 5. Replacement Parts for SSCI Tote-All Single-door Case Carts

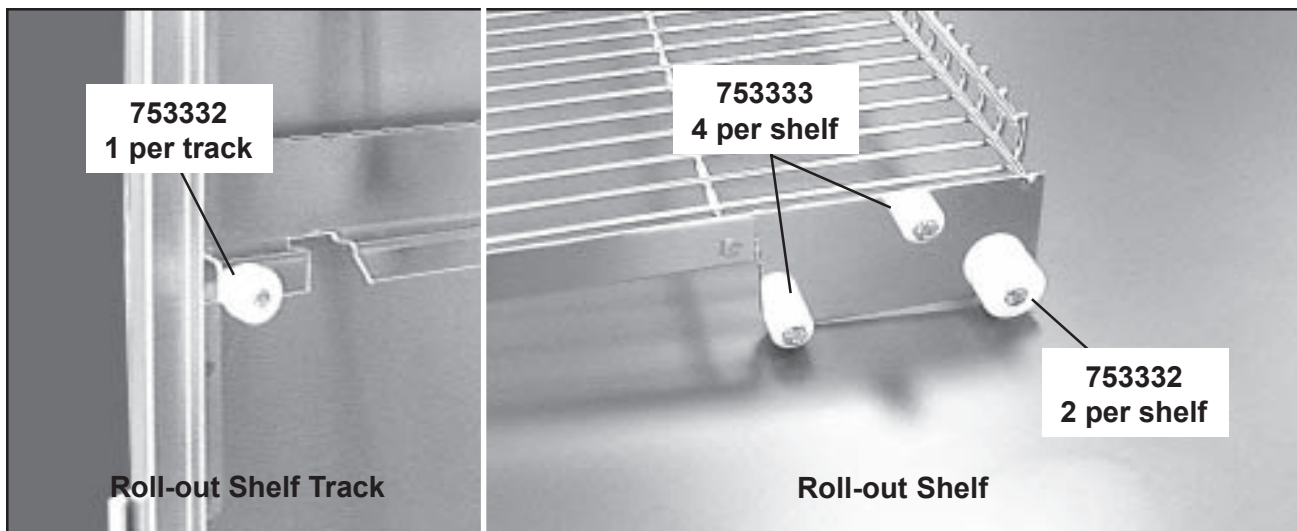


Figure 24. Part Numbers for Rollers on Roll-out Tracks and Shelves

General

- Many threaded fasteners used on SSCI products are secured with thread adhesive to insure structural integrity. Removing any screw or bolt may be difficult at first.
- If during disassembly, you remove any tape, cable ties, etc., remember to replace them when the installation is complete.
- During disassembly, retain all hardware items such as screws, nuts, lockwashers, etc. for reassembly.
- If you have problems with any procedure, please feel free to call SSCI Customer Service at (800) 323-7366.

Parts Ordering Procedure

Order new equipment, accessories, and replacement parts direct from SSCI. You can order by mail, telephone, or fax. Refer to *SSCI Contact Information on Page 2* for address, telephone, and fax numbers. When ordering, please provide the following information:

- Your name
- Company name
- Company account number
- Telephone number
- Fax number
- e-mail address
- Shipping address
- Billing address (if different from shipping address)
- Names, part numbers, and quantities of items being ordered
- Credit card number and expiration date, or other payment information
- Preferred method of shipment
- Information on whether the items are required on a normal or urgent basis

Parts Replacement Procedures

Removing and Installing a Case Cart Door

Overview

Replacement of some case cart parts will require the removal and subsequent reinstallation of the case cart door.

CAUTION: When working on the case cart, make sure the wheels are blocked so that the cart cannot move while you are working. Such movement could create a hazardous condition.



Figure 25. Door Hinges

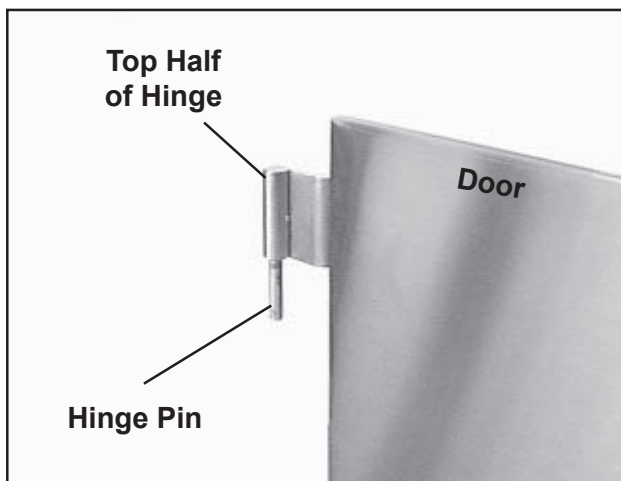


Figure 26. Top Half of Door Hinge

Removal

1. Block or otherwise immobilize the case cart wheels so that the cart can't move while you are working on it.
2. Unlatch and open the door.

CAUTION: The case cart door is heavy and we recommend that removing and installing the door be done by at least two people.

3. Lift up on the door until the upper and lower hinge pins on the door disengage from the lower hinge halves (Figures 25 and 26), and remove the door.

Installation

1. Lift up the door and gently lower both hinge pins into the lower hinge halves (Figure 26). Make sure the hinge pins seat fully into the lower halves.
2. Swing the door open and closed a few times to make sure it moves easily.
3. Close and latch the door.

Lower Door Hinge

P/N 603485

Overview

On all single-door case cart doors, each of the two hinges has an upper and a lower half. The upper half is integral to the door itself and cannot be replaced short of replacing the complete door. The lower half is bolted to the case cart and can be replaced if necessary. All hinges, upper and lower, on all single-door case carts are identical.

Tools Required

- Phillips screwdriver
- Socket wrench, 7/16 in. socket, and 3 in. extension

Procedure

1. Remove the case cart door. Refer to *Removing and Installing a Case Cart Door - Removal, Steps 1 through 3 on Page 21*. Observe the **Cautions** shown in the procedure.
2. With a Phillips screwdriver and a socket wrench with a 7/16 in. socket on a 3 in. extension, remove the two hinge mounting screws and nuts (Figure 27), and remove the hinge.

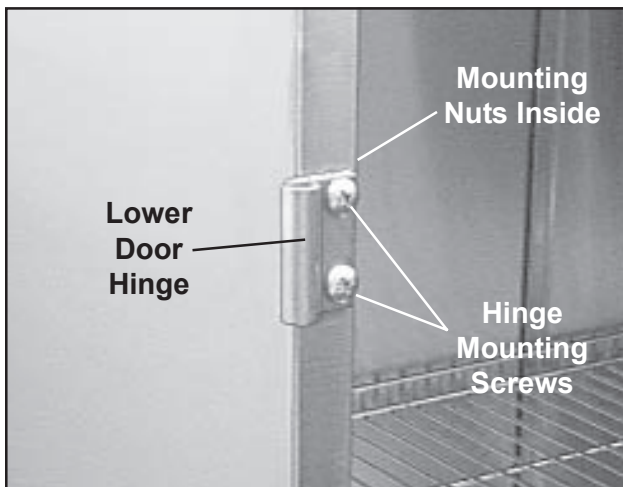


Figure 27. Lower Door Hinge and Mounting Screws and Nuts

3. Hold the new hinge in place and secure with the two mounting screws/nuts.
4. Replace the case cart door. Refer to *Removing and Installing a Case Cart Door - Installation, Steps 1 through 3 on Page 21*.

Casters

w/ Swivel Lock -
P/N C001-31011110-FAA00
w/o Swivel Lock -
P/N C001-21011110-FAA00

Overview

All case cart casters, either with or without swivel locks, are removed and installed the same way.

Tool Required

- 1/2 in. wrench

Procedure

1. Make sure that the door is closed and latched.

CAUTION: The case cart is heavy. We recommend that laying it down be done by at least two people.

2. Lay the case cart down on one side so that the caster being removed is on top.
3. With a 1/2 in. wrench, remove the four mounting screws/washers on the caster base (Figure 28).
4. Lift the complete caster assembly off the case cart.
5. Using the same screws/washers, mount the new caster to the bottom of the case cart.
6. Stand the case cart back up to the upright position.

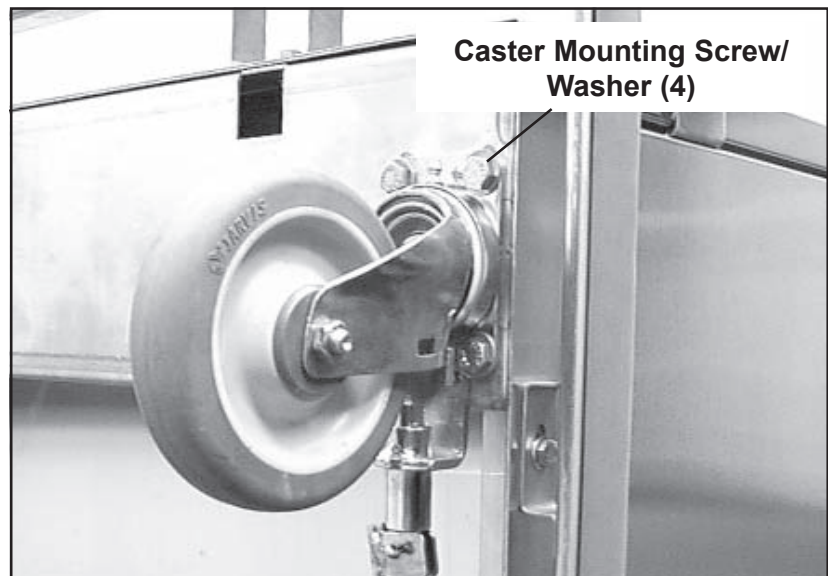


Figure 28. Caster Mounting Screws (4)

Latch Striker Plate

33 in. H Cabinets -
P/N 608088

48 in. and 63 in. H Cabinets-
P/N 600734

Overview

Two types of striker plates are used on single-door case carts, however, they are removed and installed in the same way.

Tools Required

- Flat blade screwdriver
- 3/8 in. open-end or box-end wrench

Procedure

1. Unlatch and open the door.
2. With a flat blade screwdriver and a 3/8 in. open-end or box-end wrench, remove the two striker plate mounting screws and nuts (Figure 29), and remove the striker plate.
3. Hold the new striker plate in place and secure with the two mounting screws/nuts.
4. Close and latch the door.

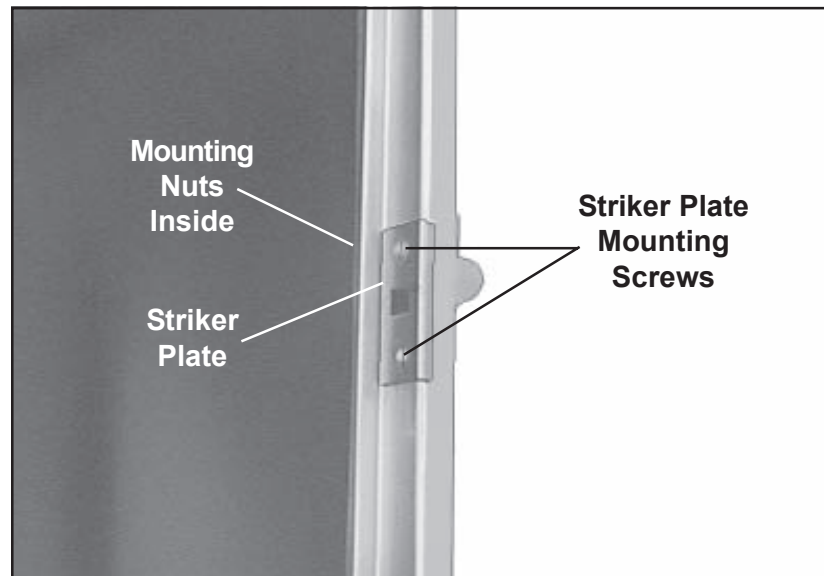


Figure 29. Striker Plate and Mounting Screws/Nuts

Handle Catch
P/N 616380 -
(Only on Case Carts
with External Handles)

Overview

All size case carts with external handles, 33 in., 48 in., and 63 in., have these handle catches.

Tools Required

- 3/8 in. wrench
- Phillips screwdriver

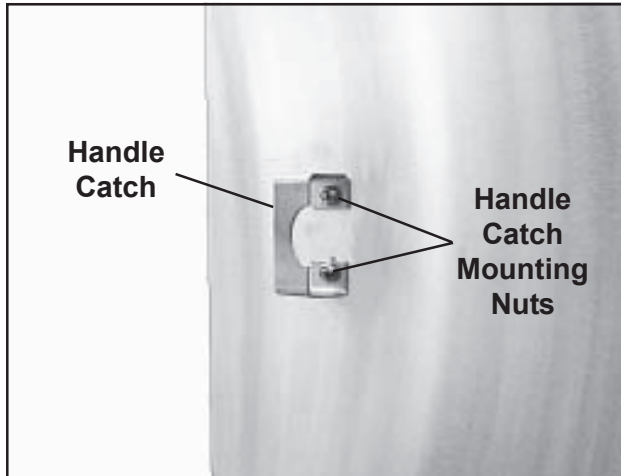


Figure 30. Handle Catch on Left Side of Case Cart

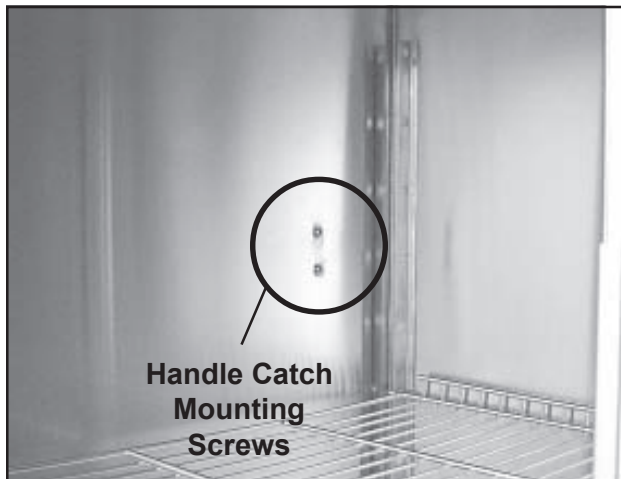


Figure 31. Handle Catch Mounting Screws Inside Case Cart

Procedure

Note: If you do not remove the case cart door, it will require two people to perform this procedure due to the difficulty of reaching the mounting nuts and screws at the same time.

1. **Optional:** Remove the case cart door. (Refer to **Note** above.) Refer to *Removing and Installing a Case Cart Door - Removal, Steps 1 through 3 on Page 21*. Observe the **Cautions** shown in the procedure.
2. With a 3/8 in. wrench and a Phillips screwdriver, remove the two mounting screws/nuts on the handle catch (Figures 30 and 31), and lift off the catch.
3. Mount the new latch handle to the case cart with the screws/nuts removed above.
4. If you removed it, replace the door. Refer to *Removing and Installing a Case Cart Door - Installation, Steps 1 through 3 on Page 21*.
5. Try latching and unlatching the door several times to make sure it works.

Knob Handle
P/N 202499

Latch Bolt
P/N 751549

Latch Bolt Spring
P/N 852406

Overview

The knob handle, latch bolt, and latch bolt spring are closely related parts. The knob handle can be replaced by itself. Replacing the latch bolt requires removal of the knob handle. Replacing the latch bolt spring requires removal of the latch bolt.

Tool Required

- Pliers

Procedure

CAUTION: When using the pliers to loosen or tighten the knob handle, try not to scratch or mar the handle.

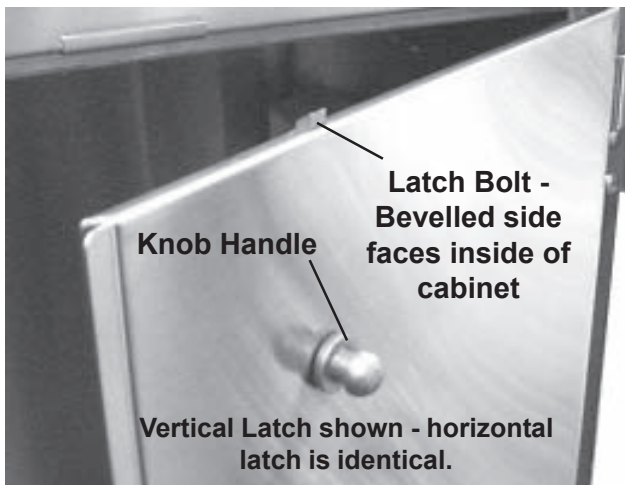


Figure 32. Knob Handle and Latch Bolt

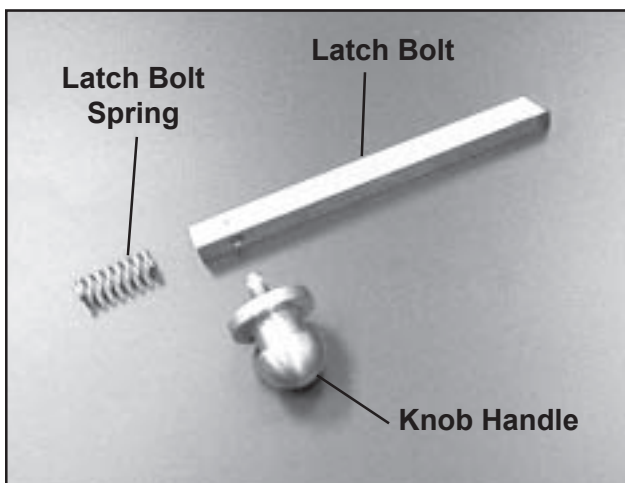


Figure 33. Latch Parts

1. With a pliers, unscrew the knob handle from the door (Figure 32). If not replacing the bolt or spring, proceed to *Step 7*.
2. Note the position of the angled end of the latch bolt. Grasp the bolt and pull it out of the door. If not replacing the spring, proceed to *Step 6*.
3. If replacing the spring, remove the door from the case cart. Refer to *Removing and Installing a Case Cart Door - Removal, Steps 1 through 3 on Page 21*. Observe the **Cautions** shown in the procedure.
4. Hold the door so that the hole from which the latch bolt was removed is down, and allow the spring to fall out (Figure 33).
5. Hold the door so that the hole from which the latch bolt was removed is up, and drop the new spring into the hole.
6. Insert the new or existing latch bolt (as appropriate) into the hole. Make sure the bevelled side faces the inside of the cabinet.

7. Screw the new or existing knob handle (as appropriate) into the latch bolt and tighten with a pliers.
8. If the door was removed from the case cart reinstall it now. Refer to *Removing and Installing a Case Cart Door - Installation, Steps 1 through 3 on Page 21.*

Bumper (Complete with Vinyl Insert)

**Recessed Handle Models -
P/N 203072**
**External Handle Models -
P/N 203072E**

Overview

This is the complete bumper assembly including the vinyl insert. All single-door bumper assemblies are the same except that the bumpers for the case carts with extended handles are longer to compensate for the greater cart length resulting from the presence of the external handles.

Tools Required

- Two 7/16 in. wrenches

Procedure

CAUTION: The case cart is heavy. We recommend that tilting it over be done by at least two people.

1. Tilt the case cart over on one side, and block up the lower end so that the bumper is off the floor.

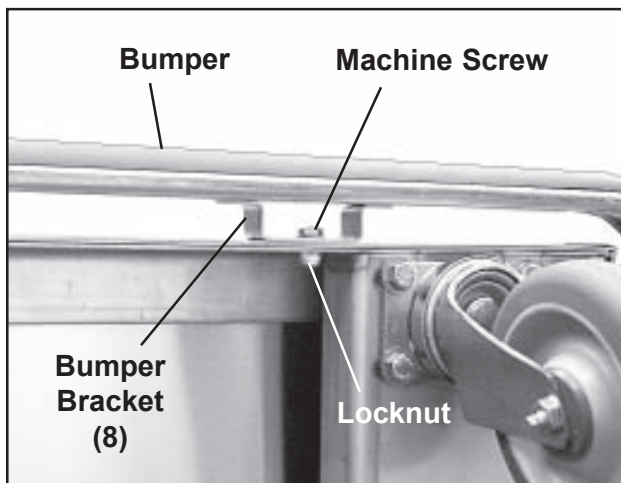


Figure 34. Bumper, Bracket, and Mounting Hardware

2. With two 7/16 in. wrenches remove the machine screws and locknuts from all eight bumper bracket positions (Figure 34).
3. Remove the old bumper from the case cart.
4. Place the new bumper in place on the cart.
5. Using the machine screws and locknuts removed above, mount the new bumper to the cart.
6. Remove the block from under the case cart, and return the cart to the upright position.

Adjustable Shelf

Wire - P/N 220300-00

Solid - P/N 220310-00

Perforated - P/N 220320-00

Overview

All adjustable shelves, wire, solid, and perforated, are removed and installed in the same way.

Procedure

Refer to *Adjustable Shelves* on Page 16, and use the procedure given there for moving a shelf.

Roll-out Shelf

Wire - P/N 220330-00

Solid - P/N 220340-00

Perforated - P/N 220350-00

Overview

All roll-out shelves, wire, solid, and perforated, are removed and installed in the same way.

Procedure

Refer to *Using Roll-out Shelves - Removing and Replacing Roll-out Shelves* on Page 14, and use the procedure given there.

Roll-out Shelf Track

Left - P/N 210007

Right - P/N 210008

Overview

Left and right roll-out shelf tracks are removed and installed the same way.

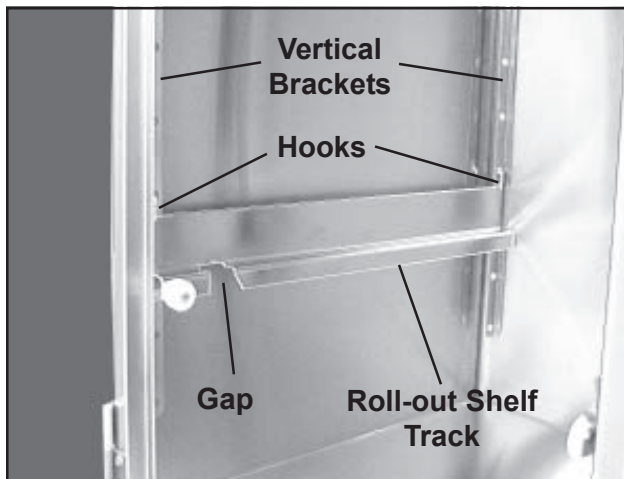


Figure 35. Roll-out Shelf Track and Vertical Brackets

Procedure

1. Remove the shelf from the cabinet (refer to *Removing and Replacing Roll-out Shelves - Removal, Steps 1 through 5, starting on Page 14*).
2. Lift up on the roll-out shelf track and unhook it from the front and rear vertical brackets (Figure 35).
3. Hook the new track to the vertical brackets.
4. Replace the shelf onto the shelf tracks (refer to *Removing and Replacing Roll-out Shelves - Replacement, Steps 1 through 8 on Page 15*). **Note:** Make sure the shelf is level side-to-side and front-to-rear.

Rollers for Roll-out Shelves and Tracks

Large, Grooved Rollers -
P/N 753332

Small, Smooth Rollers -
P/N 753333

Overview

Each roll-out shelf track has one large, grooved roller. Each roll-out shelf has two large, grooved rollers, and four small, smooth rollers. All large, grooved rollers are the same, and all small, smooth rollers are the same. All rollers are removed and replaced in the same way.

Tools Required

- Two 7/16 in. wrenches

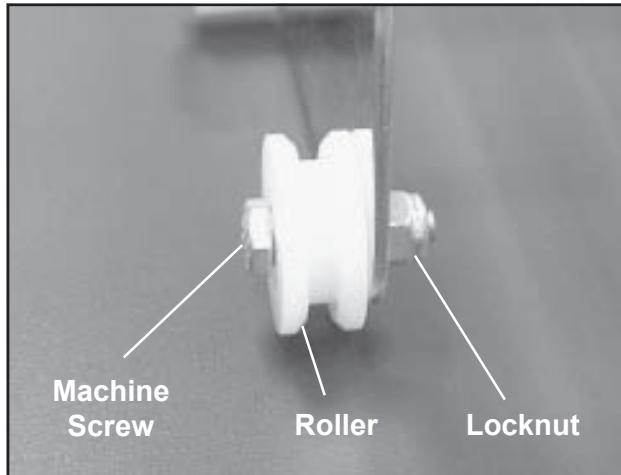


Figure 36. Roller Machine Screw and Locknut

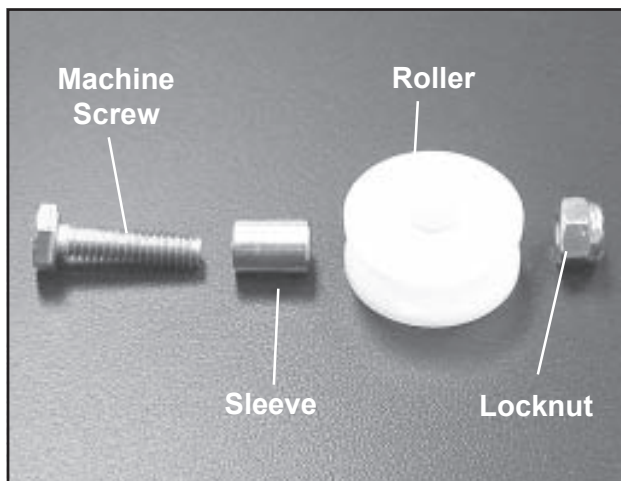


Figure 37. Roller and Sleeve

Procedure

1. Remove the shelf from the cabinet (refer to *Removing and Replacing Roll-out Shelves - Removal, Steps 1 through 5, starting on Page 14*).
2. If replacing a roller on the roll-out shelf track, lift up on the track and unhook it from the front and rear vertical brackets (Figure 35).
3. Locate the roller you wish to replace. With two 7/16 in. wrenches, remove the machine screw and locknut that hold the roller in place, and remove the roller from the shelf or track, as appropriate (Figure 34).
4. Remove the sleeve from the old roller and discard the roller.
5. Install the sleeve into the new roller (Figure 37).
6. Mount the new roller/sleeve and secure it with the machine screw/locknut removed earlier.
7. If it was removed, hook the track to the vertical brackets.
8. Replace the shelf onto the shelf tracks (refer to *Removing and Replacing Roll-out Shelves - Replacement, Steps 1 through 8 on Page 15*).

Care of Wheel/Caster Assemblies

Overview

The wheel/caster assemblies on the case carts were selected by SSCI for high durability and long life. Two of the casters on each transport cage are equipped with swivel locks. Users are responsible for the proper operation, care, and maintenance of their equipment. Equipment can become damaged and unsafe if abused or subjected to improper demands. If your equipment is regularly maintained and never abused, you will get the maximum safety and service from your casters.

- Never overload the case cart.
- Do not drop heavy loads on the case cart.
- Do not use the transport cart at high speeds.

The above conditions can create severe impact and shock loads on your case cart and may result in caster, wheel, or equipment failure.

Inspection

Equipment Frames and Fasteners

Periodically examine the case cart and check the following:

- Look for broken welds on the case cart.
- Tighten any loose nuts and bolts.
- Look for distortion of the cart caused by overload and impacts. Distorted carts can lead to wheel failure by placing disproportionate loads on one or two casters.
- Make sure the casters are not bent and the mounting bolts are securely fastened.

Casters

Check the swivel assembly on each caster for excessive play due to wear. If the swivel is loose, replace the caster. If the swivel does not turn freely, check for corrosion or dirt binding the raceways. Make sure the swivel nut and wheel axle nuts are tight. If a caster is not operating properly, disassemble, clean, and lubricate it. If this does not fix the problem, replace the assembly (refer to *Caster* on Page 23).

Wheels

Check each wheel for excessive or uneven tread wear, or badly worn or “chunked out” rubber tires. Such conditions can cause erratic steering, bumping, load shifting, and damage to floors. If a wheel binds and no longer rolls freely, or if flat spots appear on the tire, carefully inspect the wheel/caster assembly for damage or accumulated foreign matter (dirt, string, animal hair, etc.). If necessary, replace the assembly (refer to *Caster* on Page 23).

Swivel Locks

Check swivel locks for proper operation. Apply lock one at a time and attempt to move the equipment to make sure that each lock is not slipping or loose.

If locks slip due to worn or damaged wheels, replace the wheels immediately and retest the brakes. If the lock mechanism itself is not operating properly, repair or replace it. Before returning the equipment to use, always retest the locks.

Lubrication

Caster and wheel lubrication is essential. The lubrication schedule depends on your specific application. Normal conditions warrant lubrication every six months, however, for wet or corrosive applications, monthly lubrication may be necessary.

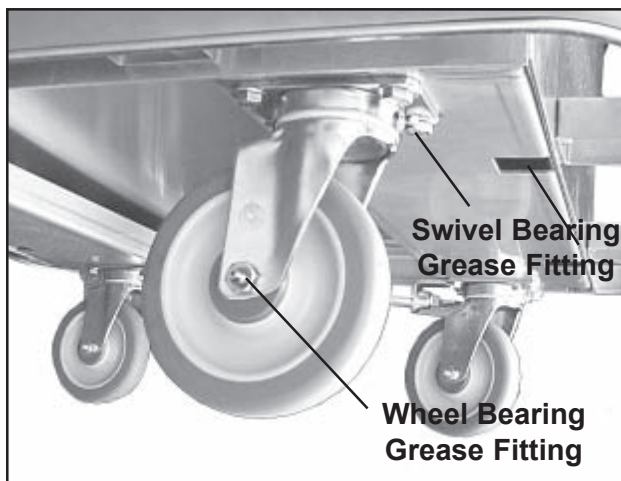


Figure 28. Wheel/Caster Assembly Grease Fittings

Lubrication may also be required after each piece of equipment is washed. Special high-temperature, water-resistant lubricants may be used for these applications. If necessary, SSCI can provide stainless steel casters that require less maintenance.

The wheel/caster assemblies have two grease fittings (Figure 28), one for the wheel and one for the swivel. Use enough grease to fill the bearing, but not so much that it oozes out of the grease seal. After applying the grease, turn the wheel or swivel several times in both directions to distribute the grease evenly.

Recommended Lubricants

SSCI recommends that you use either of the following greases when lubricating your case cart casters:

- Citgo EP-1
- Exxon Beacon EP 1

Based on available information, these products are not expected to produce adverse effects on health when used for the intended application and the recommendations provided in the Material Safety Data Sheets (MSDS) are followed. MSDS's are available via the Internet.

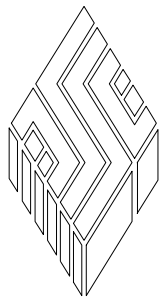
Power Towed Operation

Power drawn equipment such as in a tow line or mechanically moved by conveyor will require casters, wheels, and bearings specifically designed for this use. Please consult the factory for caster recommendations of each specific towing or power drawn equipment application.

Inside back cover

This page left blank intentionally

***For more information on SSCI's fine line of products
and accessories, talk to your SSCI sales representative.***



SSCI

Suburban Surgical Company, Inc.

275 Twelfth Street

Phone: (847) 537-9320

Toll Free: (800) 323-7366

Wheeling, IL 60090

Fax: (847) 537-9061

Web: www.suburbansurgical.com