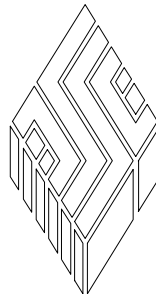




Utility Table

- *Helps keep instruments organized & handy*
- *Full 4 in. deep drawer with friction latch*
- *Non-marking 3 in. ball-bearing swivel casters*
- *Stainless steel construction - designed to last*

Model Number: 108495-00



SSCI

Wheeling, IL (800) 323 7366

Table of Contents

General Information	3
Introduction	3
About this Manual	3
SSCI Contact Information	3
Model	4
Returning the Table for Repairs	4
RMA Numbers	4
Packing and Shipment	4
Warranty	4
Care & Cleaning of Stainless Steel	5
Introduction	5
Cleaning & Cleansers	5
Deodorizing Agents, Disinfectants, & Sanitizers	5
Effect on Warranty	6
Unpacking & Inspection	6
Repairs & Replacements	7
Replacement Parts	7
General	7
Parts Ordering Procedure	7
Parts Replacement Procedures	8
Pull Handle	8
Overview	8
Tool Required	8
Procedure	8
Drawer	9
Overview	9
Procedure	9
Retaining Rail	10
Overview	10
Tools Required	10
Procedure	10
Ball-bearing Swivel Caster	11
Overview	11
Tool Required	11
Procedure	11
Care & Maintenance of Casters	12
General	12
Caster Safety Tips	12
Inspection	12
Frames	12
Wheels	12
Casters	13

© Copyright 2007 by **Suburban Surgical Co., Inc.** All rights reserved.

No part of this document may be reproduced or utilized in any form or by any means, electronic or mechanical, including photocopying, recording, or by any information storage and retrieval system without written permission.

Inquiries should be addressed to **Suburban Surgical Co., Inc.**
Wheeling, Illinois 60090, USA

General Information



Introduction

SSCI's Utility Table features a built-in drawer to help keep your instruments and treatment supplies clean, organized, and easily accessible. The Type 304 stainless steel construction offers long-lasting durability with easy care. The drawer is a full 4 in. (10.16cm) deep and features a friction latch to stay closed while the table is being moved. Ball-bearing slides allow the drawer to open fully, yet feature a positive stop to prevent the drawers from being removed accidentally. A retaining rail around three sides of the top surface helps keep supplies in place during transit. A lower shelf adds storage space and enhances structural integrity.

About this Manual

Every attempt has been made to insure that the information in this manual is correct and complete. SSCI, however, always welcomes our customer's suggestions for improvements to our products and associated publications.

SSCI Contact Information

Contact SSCI Customer Service by mail, telephone, or fax. The department is available from 8:30am to 5:00pm, Central Time, Monday through Friday. Closed holidays.

Address: Suburban Surgical Co., Inc.
275 Twelfth Street
Wheeling, Illinois 60090

Telephone: Illinois - (847) 537-9320, ext. 3518
Toll Free - (800) 323-7366

Fax: (847) 537-9061

Web: www.suburbansurgical.com

Model

The model number for the stainless steel SSCI Utility Table with drawer, casters, retaining rail, and lower shelf is:

P/N 108495-00

Dimensions: 20.750"W x 35.656"H x 16.375"D
 52.705cmW x 90.57cmH x 41.59cmD

Returning the Table for Repairs

RMA Numbers

If your utility table should require return to SSCI for repairs, discuss the problem with one of our Customer Service Representatives. Obtain an RMA number (Return Merchandise Authorization) from them before shipping the unit back. **Note:** Merchandise returned without an RMA number will not be accepted.

Packing & Shipment

If you were able to keep the utility table shipping carton, repack the table into the carton, and staple or tape the cover securely in place. If the original shipping carton is not available, pack the table as best you can to protect it during shipment. Ship documentation with the table including:

- Destination
- RMA Number
- Your name, company, and address
- Your telephone number
- A description of the reason for returning the table

Warranty

Suburban Surgical Company, Inc. warrants the original purchaser that our products are of the highest standards in material and workmanship. Our stainless steel components are guaranteed to last a lifetime assuming they are used as intended, properly maintained and cared for. Mechanical, electrical, electronic, hydraulic, and any product's devices carry a one year warranty.

Items purchased by Suburban Surgical Company, Inc. from other manufacturers and incorporated into our equipment are covered by the respective manufacturer's warranties.

Warranties will not apply if it is determined by Suburban Surgical Company, Inc. that the equipment became defective due to an accident, misuse, abuse, improper maintenance, or alteration. Warranty freight charges are covered for the first year only.

Care & Cleaning of Stainless Steel

Introduction

Stainless steel is steel alloyed with chromium to make it highly resistant to stain, rust, and corrosion. **Note:** This does NOT mean that stainless steel will *never* rust or corrode. Science has not yet developed a steel which is completely stainless or corrosion PROOF.

The type of stainless steel and finish selected by SSCI for this product is the best available for the intended use.

Cleaning & Cleansers

The basic rule of thumb is to use the mildest cleaning procedure that will do the job effectively. Always rinse thoroughly with clear water and dry completely. Frequent cleaning will prolong the service life of stainless steel equipment and will help maintain a bright, pleasing appearance.

Ordinary deposits of waste and fluids can usually be removed with soap and water. More stubborn deposits or tightly adhering debris may require harder scrubbing and possibly the use of commercial cleaning products acceptable for use on metal surfaces. When using any cleaning agent, rub in the direction of the polish lines or “grain” of the metal. For high luster finishes, clean soft cloths or pads should be used. If especially rough cleaning is necessary, use “stainless steel” wool, nylon, or plastic scrubbers. Test these scrubbers in an inconspicuous area first to be sure they do not mar or scratch the stainless steel finish.

Minor scale build-up and some hard water spotting may be removed by washing with vinegar, followed by a neutralizing rinse with clear water and a thorough drying with a soft cloth. For heavy deposits of scale, 5% oxalic acid (use warm), 5-15% sulfamic acid, or 5-10% phosphoric acid may be used. Always follow with a neutralizing rinse of clean water and a thorough drying.

Deodorizing Agents, Disinfectants, & Sanitizers

The large selection of brands and combinations of chemicals available for deodorizing, disinfecting, and sanitizing is staggering. Select one or more agents for use in your facility only after weighing all the benefits claimed by each product. Often this choice is made without adequate consideration of the effects these agents may produce on equipment or furnishings.

CAUTION: Before selecting a chemical to employ in your facility, review label statements regarding use with metals (stainless steel). Always consult the chemical supplier if there are any doubts.

Avoid prolonged use of chlorides (such as chlorine bleach), bromides, iodides, and thiocyanates on stainless steel surfaces as these chemicals will cause pitting, corrosion, and metal discoloration. Allowing salty solutions to evaporate and dry on stainless steel may also contribute to corrosive conditions.

In summary, select chemical deodorizers, disinfectants, and/or sanitizers only after weighing all possible benefits and known adverse effects.

Effect on Warranty

CAUTION: The warranty for this product is void if the care and cleaning instructions provided in this manual are not followed.

Unpacking & Inspection

CAUTION: Unpacking the utility table is not difficult. However, the table is heavy and we recommend that unpacking be done by at least two people.

If the shipping container appears damaged in any way, contact the shipping company immediately. Save all damaged packing materials to assist in proving liability for damage.

Carefully inspect your utility table while you unpack it. If any damage is noted, or if parts appear to be missing, call SSCI Customer Service at (800) 323-7366.

Repairs & Replacements

Replacement Parts

The table below lists the replacement parts available for the SSCI Utility Table. For parts not listed, contact SSCI Customer Service at (800) 323-7366. To order parts, refer to *Parts Ordering Procedure* below.

Part Name	SSCI Part Number	Quantity	Replacement Instructions
Pull Handle	851959	1	Page 8
Drawer	H0206-1730-1544-0525	1	Page 9
Retaining Rail	H205-375-20750-15750	1	Page 10
Ball-bearing Swivel Caster	C100-23041000-CE000	4	Page 11

Replacement Parts for SSCI Utility Table

General

- During disassembly, retain all hardware items such as screws, nuts, lockwashers, etc. for reassembly.
- If you have problems with any procedure, please feel to call SSCI Customer Service at (800) 323-7366.

Parts Ordering Procedure

Order new equipment, accessories, and replacement parts directly through SSCI Customer Service. You can order by mail, telephone, or fax. Refer to *SSCI Contact Information* on Page 3 for address, telephone, and fax numbers. When ordering, please provide the following information:

- Your name
- Company name
- Company account number
- Telephone number
- Fax number
- e-mail address
- Shipping address
- Billing address (if different from shipping address)
- Names, part numbers, and quantities of items being ordered
- Credit card number and expiration date, or other payment information
- Preferred method of shipment
- Information on whether the items are required on a normal or urgent basis

Parts Replacement Procedures

The following pages guide you in replacing worn, damaged, or missing parts on your SSCI Utility Table.

Pull Handle **P/N 851959**

Overview

There is one pull handle on the Utility Table (Figure 1). It can be replaced without removing the drawer.

Tool Required

- Phillips screwdriver

Procedure

1. Open the drawer.
2. From inside the drawer (Figure 2), use a Phillips screwdriver to unscrew the two pull handle screws, and remove the old handle from the drawer.
3. Secure the new pull handle to the front of the drawer with the two screws removed in *Step 2*.



Figure 1. Pull Handle

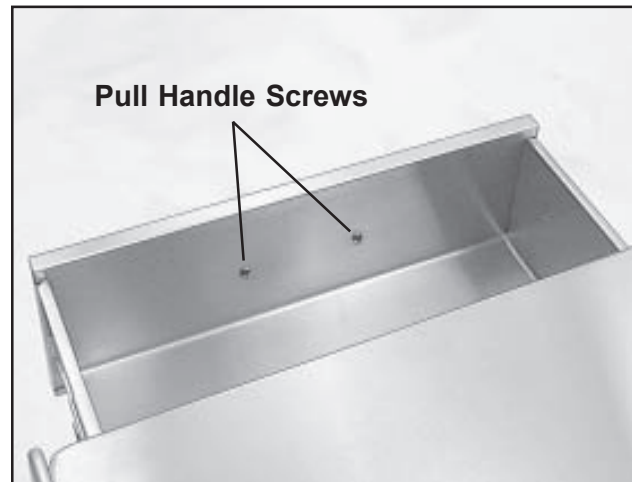


Figure 2. Drawer Open Showing Pull Handle Screws

Drawer Overview

P/N H0206-1730-1544-0525

There is one drawer in the Utility Table (Figure 3). It is quick and easy to remove and install without tools.



Figure 3. Drawer

Procedure

1. Open the drawer all the way.
2. While supporting the drawer from below, hold the left locking lever up, and the right locking lever down (Figure 4).
3. Pull the drawer out of the table.
Note: Hold the table back to keep it from trying to follow the drawer.
4. To replace the drawer into the table, place the flanges on the right and left drawer carriages (Figure 5) into the slots above and below the ball-bearings on the slides, and push the drawer in.

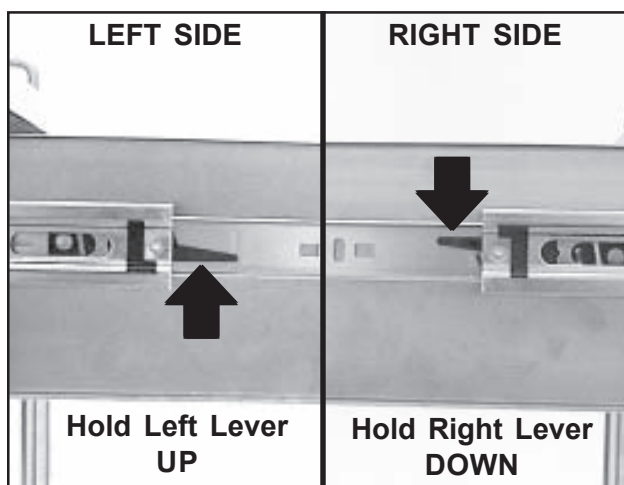


Figure 4. Drawer Locking Levers

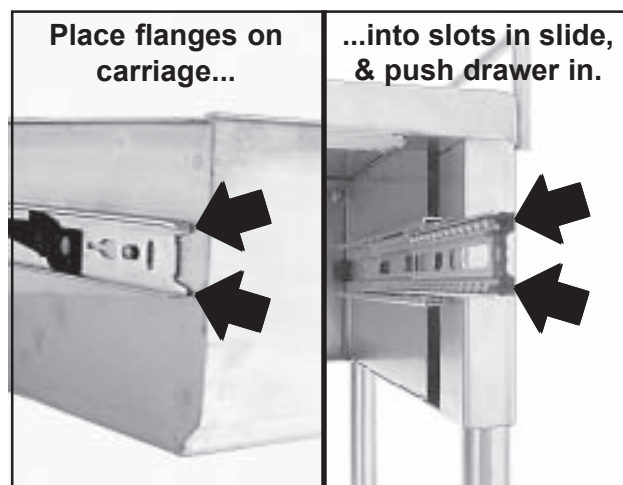


Figure 5. Installing Drawer

Retaining Rail

P/N H205-375-20750-15750

Overview

A retaining rail runs around three sides of the table top to help keep supplies in place during transit.

Tools Required

- Phillips screwdriver
- 7/16 in. wrench

Procedure

1. Refer to *Drawer - Procedure - Steps 1 through 3* on *Page 9*, and remove the drawer from the table.
2. With a Phillips screwdriver and 7/16 in. wrench, remove the four retaining rail screws/nuts (Figures 6, 7, & 8) and remove the rail from the table.

3. Mount the new retaining rail into place with the four screws/nuts removed in *Step 2*.
4. Refer to *Drawer - Procedure - Step 4* on *Page 9*, and install the drawer.

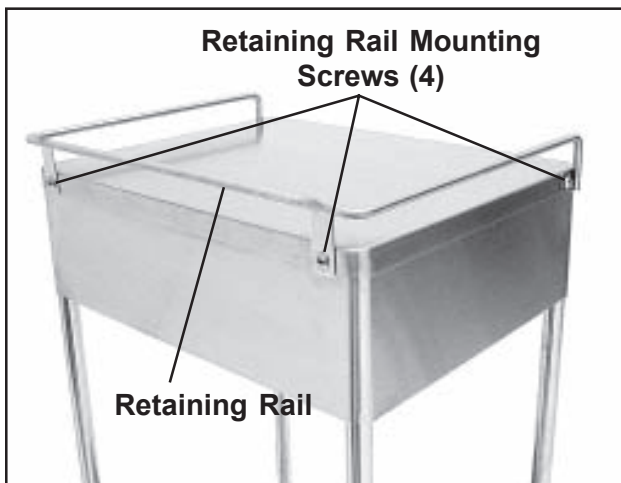


Figure 6. Retaining Rail and Mounting Screws

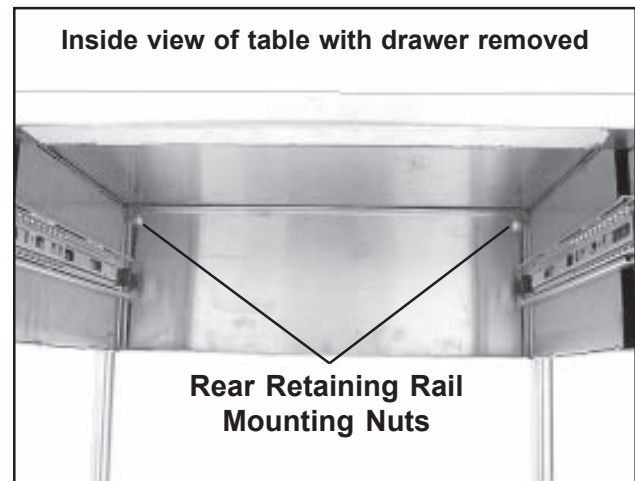


Figure 7. Rear Mounting Nuts on Inside of Table

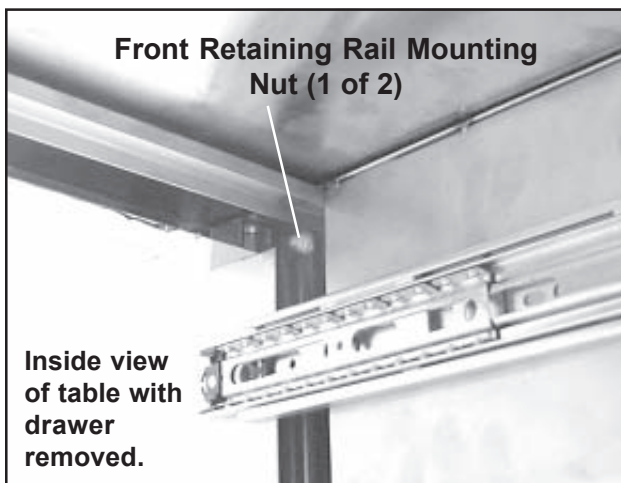


Figure 8. Front Mounting Nut on Inside of Table

Ball-bearing Swivel Caster

P/N C100-23041000-CE000

Overview

There are four ball-bearing swivel casters on the Utility Table. They are all the same and are replaced in the same way. The casters do not have brakes or lubrication fittings.

Tool Required

- Large, flat-blade screwdriver

Procedure

1. Lay the table down on one side so that the caster to be replaced is accessible. Place the table on a cloth or other soft surface to avoid scratching the stainless steel.
2. Wedge the blade of a large, flat-blade screwdriver between the caster and the plastic socket (Figure 9) and pry the caster partially out.
3. Once the caster is loose, pull it out the rest of the way by hand.
4. Place the shaft of the new caster into the socket and push it in by hand until it seats.

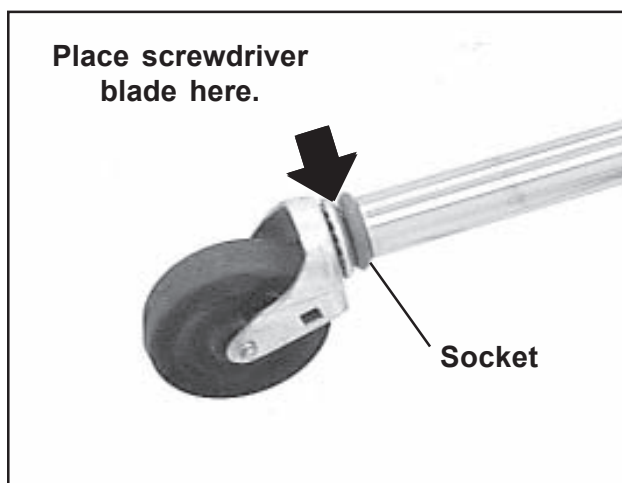


Figure 9. Removing a Caster from the Table Leg



Figure 10. Caster Removed from the Table Leg

Care & Maintenance of Casters

General

This section provides you with a general safety and maintenance guide for the casters on your Utility Table. Please read this section carefully to use your equipment safely and to provide a long and reliable life for your table.

Caster Safety Tips

Always remember, the most important safety step for casters is regular and proper maintenance. Users are responsible for the proper operation and maintenance of their equipment. Any piece of equipment will become inefficient and unsafe if abused or subjected to improper demands for which it was not designed. If equipment is regularly maintained and not abused, you will get the maximum safety and service performance from your casters. Always observe the following rules:

- Never overload the equipment.
- Never drop heavy loads on the equipment.
- Never subject the equipment to operation at high speeds.

These actions create severe impact and shock loads that can lead to wheel, caster, and equipment failure.

Inspection

Frames

Periodically turn the equipment on its end or side and check the following:

- Look for broken or cracked welds.
- Look for frame distortion caused by overloads and impact loads. Distorted frames can lead to wheel failure by placing disproportionate loads on one or two casters.

Wheels

Check wheels for visible tread wear. Flat spots may indicate an accumulation of foreign material, such as string, thread, or hair, which can cause the wheel to bind. Clean any foreign material out of the axle and ball-bearing.

Loose casters and frozen wheels can also cause flat spots. Timely replacement of damaged casters will enhance equipment rollability and tracking performance.

Badly worn or “chunked out” rubber tires can also cause erratic steering, bumping, load shifting, and damage to floors. We recommend that replacement casters be kept on hand to reduce costly downtime.

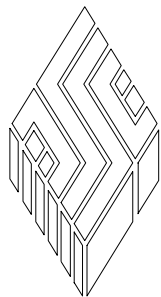
After the wheels have been inspected and repaired, be sure the axle rivets are tight. The wheel may lock up or become damaged if it is not straight in the caster horn.

Casters

Check the swivel assembly for excessive play due to wear. If the swivel assembly is loose, replace the entire caster. If the swivel does not turn freely, check for corrosion or dirt binding the raceways.

Note: The casters on the Utility Table do not have brakes or lubrication fittings.

***For more information on SSCI's fine line of products
and accessories, talk to your SSCI sales representative.***



SSCI

Suburban Surgical Company, Inc.

**275 Twelfth Street
Phone: (847) 537-9320
Toll Free: (800) 323-7366**

**Wheeling, IL 60090
Fax: (847) 537-9061
Web: www.suburbansurgical.com**