



Laminated Enclosures for Classic Bathing Tables

- *Choose a Cabinet Laminate to Match Your Decor*
- *Optional Sliding Doors Give Additional Storage Space*
- *Top Quality Construction Makes for Long Life*
- *Attractive, Yet Easy to Clean & Maintain*

Model Numbers:

13120-F1-HJFNAW

13120-F1-JFFNDW

13120-F2-HJFNDW

13120-F2-JFFNDW

13120-F3-HJFNDW

13120-F3-JFFNDW

13120-F4-HJFNDW

13120-F4-JFFNDW

13120-F6-HJFNDR

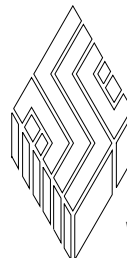
13120-F6-JFFNDR

13120-F7-HJFNDR

13120-F7-JFFNDR

13120-F8-HJFNDR

13120-F8-JFFNDR



SSCI

Wheeling, IL (800) 323 7366

Form No. 702770 Rev. A 05/09

Table of Contents

General Information	3
Introduction	3
About this Manual	3
Information & Safety Notices	4
Notes	4
CAUTIONS	4
SSCI Contact Information	4
Models	5
Parts Ordering Procedure	7
Cleaning Requirements	8
Warranty	8
Installation of the Enclosure	9
General	9
Unpacking & Inspection	9
Installation	9
Tools & Supplies Required	9
Parts Supplied	9
Installation Procedure	13
Caring for Your Bathing Table Enclosure	15
Cleaning Laminated Surfaces	15
Cleaning Tips	15
Substances to Avoid	15
Recommended Cleaners	16
Cleaners to Avoid	16
Sharp Objects	17
Dusting	17

© Copyright 2009 by **Suburban Surgical Co., Inc.** All rights reserved.

No part of this document may be reproduced or utilized in any form or by any means, electronic or mechanical, including photocopying, recording, or by any information storage and retrieval system without written permission.

Inquiries should be addressed to **Suburban Surgical Co., Inc.**

Wheeling, Illinois 60090, USA

General Information



Introduction

SSCI's Classic Bathing Table Laminated Enclosures allow you to upgrade the appearance of your standard SSCI Classic Bathing Tables. These enclosures give you the same top-quality construction features of our Classic models with the added advantage of built-in storage space. The cabinets are available in a wide range of laminate colors and styles so it's easy to create the perfect Bathing Table to match your office decor.

The enclosure body panels are made of 45-lb. industrial-grade substrate. Panels are precision machined on a CNC machine for accuracy then dadoed and rabbeted for tight-fitting joints. All interiors are finished with Thermo-Fused Melamine to make them water, odor and chemical resistant.

The optional sliding panels provide additional storage space. Finger pulls on each door allow easy opening and closing. The laminated enclosures are easy to clean and maintain.

About this Manual

Every attempt has been made to insure that the information in this manual is correct and complete. SSCI, however, always welcomes our customer's suggestions for improvements to our products and associated publications.

Information & Safety Notices

In this manual you will find text under the headings **Note:**, and **CAUTION:**.

Notes

Under **Note:** headings, you will be given additional information pertinent to the subject discussed in that paragraph or step.

Example:

Table 1 gives the part numbers for the Classic Bathing Table Laminated Enclosures. **Note:** All enclosure panels are 36-in. (91.44cm) high.

CAUTIONS

Under **CAUTION:** headings, you will be alerted to potentially hazardous conditions which, if ignored or mishandled, could result in injury to yourself or damage to the equipment.

Example:

CAUTION: Unpacking & assembling the Bathing Table Enclosures is not difficult. They are heavy, and handling them can be awkward to handle. We recommend that unpacking & installation be done by at least two people.

SSCI Contact Information

Contact SSCI Customer Service by mail, telephone or fax. The department is available from 8:30am to 5:00pm, Central Time, Monday through Friday. Closed holidays.

Address: Suburban Surgical Co., Inc.
275 Twelfth Street
Wheeling, Illinois 60090

Telephone: Illinois - (847) 537-9320, ext. 3518
Toll Free - (800) 323-7366

Fax: (847) 537-9061

Web: www.suburbansurgical.com

Models

Table 1 below gives the model numbers for the Classic Bathing Table Laminated Enclosures. Refer to Top Views of Enclosure Configurations on *Pages 6 & 7*.

Note: All enclosure panels are 36-in. (91.44cm) high.

Part Numbers Laminated Enclosures	Fits Table Width	
	Inches	Centimeters
F1 - Sliding Door Front - for Alcove		
13120-F1-HJFNAW	48W	121.92W
13120-F1-JFFNAW	60W	152.40W
F2 - Sliding Door Front - Left End Panel for Left Corner		
13120-F2-HJFNDW	48W	121.92W
13120-F2-JFFNDW	60W	152.40W
F3 - Sliding Door Front - Right End Panel for Right Corner		
13120-F3-HJFNDW	48W	121.92W
13120-F3-JFFNDW	60W	152.40W
F4 - Sliding Door Front - Left & Right End Panels for Lateral Wall		
13120-F4-HJFNDW	48W	121.92W
13120-F4-JFFNDW	60W	152.40W
F6 - Sliding Door Front - End & Back Panels for Longitudinal Left Wall		
13120-F6-HJFNDR	48W	121.92W
13120-F6-JFFNDR	60W	152.40W
F7 - Sliding Door Front - End & Back Panels for Longitudinal Right Wall		
13120-F7-HJFNDR	48W	121.92W
13120-F7-JFFNDR	60W	152.40W
F8 - Sliding Doors Front & Back - End Panel for Longitudinal Position		
13120-F8-HJFNDR	48W	121.92W
13120-F8-JFFNDR	60W	152.40W

Table 1. Part Numbers - Laminated Enclosures for Classic Bathing Tables



Figure 1.
F1
Sliding Door Front - for Alcove



Figure 2.
F2
Sliding Door Front - Left End Panel for Left Corner



Figure 3.
F3
Sliding Door Front - Right End Panel for Right Corner



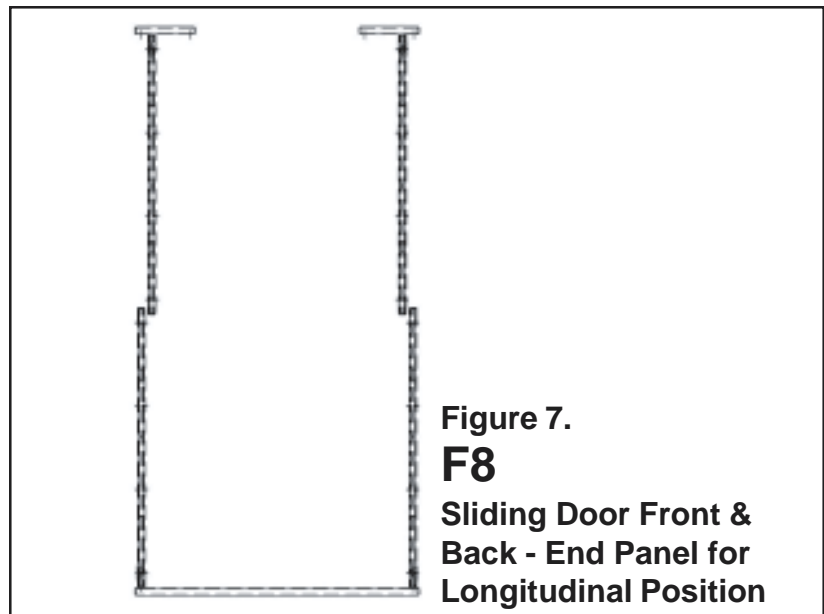
Figure 4.
F4
Sliding Door Front - Left & Right End Panels for Lateral Wall



Figure 5.
F6
Sliding Door Front - End & Back Panels for Longitudinal Left Wall



Figure 6.
F7
Sliding Door Front - End & Back Panels for Longitudinal Right Wall



Parts Ordering Procedure

Order new equipment or parts from SSCI by mail, telephone, or fax. Refer to *SSCI Contact Information* on *Page 4* for address, telephone and fax numbers. Please provide the following:

- Your name
- Company name
- Company account number
- Telephone number
- Fax number
- e-mail address
- Shipping address
- Billing address (if different from shipping address)
- Names, part numbers, and quantities of items being ordered
- Credit card number and expiration date, or other payment information
- Preferred method of shipment
- Information on whether the items are required on a normal or urgent basis

Cleaning Requirements

Clean the Bathing Table enclosure exactly in accordance with the cleaning instructions provided on *Page 15* of this manual.
Failure to follow these instructions can void your warranty.

Warranty

Suburban Surgical Company, Inc. warrants the original purchaser that our products are of the highest standards in material and workmanship. Our laminated components are guaranteed to last a lifetime assuming they are used as intended, properly maintained and cared for. Mechanical, electrical, electronic, hydraulic, and any product's devices carry a one year warranty.

Items purchased by Suburban Surgical Company, Inc. from other manufacturers and incorporated into our equipment are covered by the respective manufacturer's warranties.

Warranties will not apply if it is determined by Suburban Surgical Company, Inc. that the equipment became defective due to an accident, misuse, abuse, improper maintenance or alteration. Warranty freight charges are covered for the first year only.

Installation of the Enclosure

General

This section guides you in installing the SSCI Classic Bathing Table Laminated Enclosure. If you have problems or require additional assistance, please feel free to call SSCI Customer Service at (800) 323-7366.

CAUTION: Unpacking and installing the enclosure is not difficult. The panels are heavy, however, and handling them can be awkward for one person. We recommend that unpacking and installation be done by at least two people.

Unpacking & Inspection

If the shipping container appears damaged in any way, contact the shipping company immediately. Save all damaged packing materials to assist in proving liability for damage.

Carefully inspect your enclosure panels while you unpack them. If any damage is noted, or if parts appear to be missing, call SSCI Customer Service at (800) 323-7366. Refer to *Table 2, Parts Supplied* on Pages 10, 11, & 12.

Installation

CAUTION: Installation should be done by at least two people.

Tools & Supplies Required

To install the enclosure, you will need the following tools and supplies:

- Standard plumbing tools and supplies
- Phillips head screwdriver

Parts Supplied

Tables 2a, 2b and 2c list all the parts supplied with each model of the Laminated Bathing Table Enclosures.

Enclosure Configuration & Model Numbers	Table Size	Parts Supplied	Quantity
F1 Sliding Door Front - for Alcove 48" - 13120-F1-HJFNAW 60" - 13120-F1-JFFNDW	48"	920039-48 - Front Panel Assembly * 920043 - Side Panel (5") 623043 - U-Bracket 756535 - Bracket, Double 850801 - Self-Tapping Screw	1 2 4 14 8
	60"	920039 - Front Panel Assembly * 920043 - Side Panel (5") 623043 - U-Bracket 756535 - Bracket, Double 850801 - Self-Tapping Screw	1 2 4 16 8
F2 Sliding Door Front - Left End Panel for Left Corner 48" - 13120-F2-HJFNDW 60" - 13120-F2-JFFNDW	48"	920039-48 - Front Panel Assembly * 920043 - Side Panel (5") 920053 - Side Panel (25") 623043 - U-Bracket 756535 - Bracket, Double 850801 - Self-Tapping Screw	1 1 1 4 14 8
	60"	920039 - Front Panel Assembly * 920043 - Side Panel (5") 920053 - Side Panel (25") 623043 - U-Bracket 756535 - Bracket, Double 850801 - Self-Tapping Screw	1 1 1 4 16 8
F3 Sliding Door Front - Right End Panel for Right Corner 48" - 13120-F3-HJFNDW 60" - 13120-F3-JFFNDW	48"	920039-48 - Front Panel Assembly * 920043 - Side Panel (5") 920053 - Side Panel (25") 623043 - U-Bracket 756535 - Bracket, Double 850801 - Self-Tapping Screw	1 1 1 4 14 8
	60"	920039 - Front Panel Assembly * 920043 - Side Panel (5") 920053 - Side Panel (25") 623043 - U-Bracket 756535 - Bracket, Double 850801 - Self-Tapping Screw.	1 1 1 4 16 8

* Front Panel Assemblies Include sliding doors, door tracks, toe kick and hardware.

**Table 2a. Parts Supplied with Each Laminated Enclosure Model
(Continued on Page 11)**

Enclosure Configuration & Model Numbers	Table Size	Parts Supplied	Quantity
F4 Sliding Door Front - Left & Right End Panels for Lateral Wall	48"	920039-48 - Front Panel Assembly * 920053 - Side Panel (25") 623043 - U-Bracket 756535 - Bracket, Double 850801 - Self-Tapping Screw	1 2 4 14 8
	48" - 13120-F4-HJFNDW 60" - 13120-F4-JFFNDW	920039 - Front Panel Assembly * 920053 - Side Panel (25") 623043 - U-Bracket 756535 - Bracket, Double 850801 - Self-Tapping Screw.	1 2 4 16 8
F6 Sliding Door Front - End & Back Panels for Longitudinal Left Wall	48"	920039-48 - Front Panel Assembly * 920046-48 - Back Panel 920043 - Side Panel (5") 920053 - Side Panel (25") 623043 - U-Bracket 756535 - Bracket, Double 850801 - Self-Tapping Screw	1 1 2 1 4 20 8
	48" - 13120-F6-HJFNDR 60" - 13120-F6-JFFNDR	920039 - Front Panel Assembly * 920046 - Back Panel 920043 - Side Panel (5") 920053 - Side Panel (25") 623043 - U-Bracket 756535 - Bracket, Double 850801 - Self Tapping Screw	1 1 2 1 4 22 8

* Front Panel Assemblies Include sliding doors, door tracks, toe kick and hardware.

Table 2b. Parts Supplied with Each Laminated Enclosure Model
(continued on Page 12)

Enclosure Configuration & Model Numbers	Table Size	Parts Supplied	Quantity
F7 Sliding Door Front - End & Back Panels for Longitudinal Right Wall 48" - 13120-F7-HJFNDR 60" - 13120-F7-JFFNDR	48"	920039-48 - Front Panel Assembly * 920046-48 - Back Panel 920043 - Side Panel (5") 920053 - Side Panel (25") 623043 - U-Bracket 756535 - Bracket, Double 850801 - Self-Tapping Screw	1 1 2 1 4 20 8
	60"	920039 - Front Panel Assembly * 920046 - Back Panel 920043 - Side Panel (5") 920053 - Side Panel (25") 623043 - U-Bracket 756535 - Bracket, Double 850801 - Self Tapping Screw	1 1 2 1 4 22 8
F8 Sliding Door Front & Back - End Panel for Longitudinal Position 48" - 13120-F8-HJFNDR 60" - 13120-F8-JFFNDR	48"	920039-48 - Front Panel Assembly * 920043 - Side Panel (5") 920053 - Side Panel (25") 623043 - U-Bracket 756535 - Bracket, Double 850801 - Self Tapping Screw	2 2 1 4 28 8
	60"	920039 - Front Panel Assembly * 920043 - Side Panel (5") 920053 - Side Panel (25") 623043 - U-Bracket 756535 - Bracket, Double 850801 - Self Tapping Screw	2 2 1 4 30 8

* Front Panel Assemblies Include sliding doors, door tracks, toe kick and hardware.

Table 2c. Parts Supplied with Each Laminated Enclosure Model
(continued from Page 11)

Installation Procedure

To install the laminated enclosure to an existing SSCI Classic Bathing Table, follow the instructions below:

1. Turn **OFF** the water supply to the table.
2. Disconnect and remove the faucet so that you can move the table.
3. Disconnect the drain so that you can move the table.

CAUTION: The table is very heavy. Moving it should be done by at least two people.

4. Pull the table out far enough from any wall so you can work around and under it in reasonable comfort.

5. **CAUTION: When attaching the double brackets, make sure the screws are not too long and do not come out the front of the panel.**

- a. Using the panels supplied in the kit, assemble the enclosure. Table 2 lists the parts supplied with each enclosure model. **Note:** The front panel comes from the factory fully assembled including the doors, door tracks and supports, toe kick and hardware. Some of the double brackets listed in Table 2 are used in the assembly of the front panel.

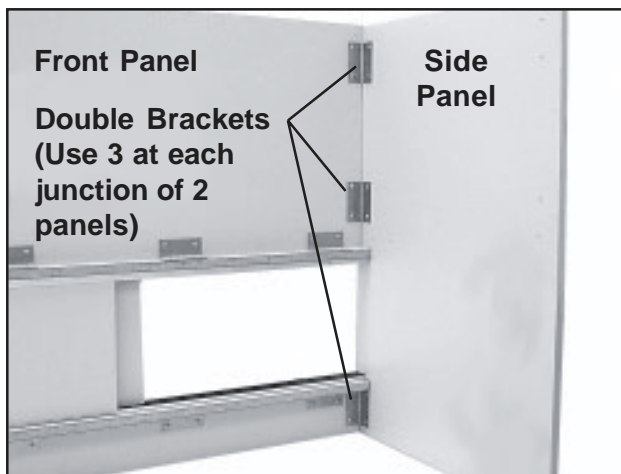


Figure 8. Connecting Two Laminated Panels with Double Brackets

- b. Use three double brackets at every junction of two panels (Figure 8). Fasten each bracket to the pre-drilled holes in the panels with two wood screws into each panel.
- c. Refer to Figures 1 through 7 for top views of all enclosure models.
- d. 48-in. and 60-in. models are assembled in the same way.

CAUTION: The enclosure is heavy. Moving it should be done by at least two people.

6. Place the fully assembled enclosure into position around the bathing table.

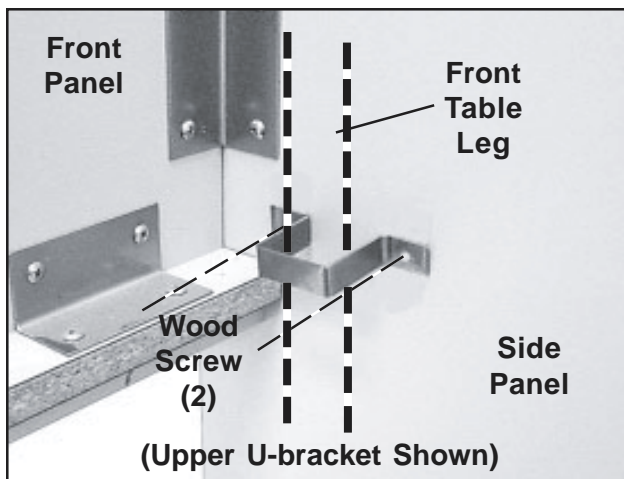


Figure 9. Mounting a U-bracket to a Front Table Leg

7. Attach the upper U-brackets to the front table legs inside the enclosure (Figure 9). Hold the U-bracket around the table leg and screw it to the pre-drilled holes in the horizontal piece above the door.
8. Attach the lower U-brackets to the front table legs.
9. Push the bathing table back into place.
10. Reconnect the drain.
11. Reconnect the faucet.
12. Turn the water supply to the table **ON**.

Caring for Your Bathing Table Enclosure

Cleaning Laminated Surfaces

Cleaning Tips

To clean the laminated surface, use a damp cloth or sponge and a mild soap or detergent. Difficult stains such as coffee or tea can be removed using a mild household cleaner and baking soda, mixed to a paste-like consistency. Using a stiff nylon bristle brush, scrub (approx. 15 to 20 strokes) the affected area. Do not scrub so hard as to mar the surface finish.

Stubborn stains that resist the above cleaning method may require the use of undiluted household bleach or nail polish remover. Using a cotton ball saturated with bleach or nail polish remover (acetone), gently rub the stain for up to two minutes. Rinse thoroughly with warm water and wipe dry using a soft cloth. This step may be repeated if the stain appears to be going away, and the color of the laminate has not been affected.

CAUTION: Prolonged exposure of the laminate surface to bleach will cause discoloration. Always rinse laminate surfaces after cleaning! Failure to rinse after cleaning can cause damage even if only a small amount of cleaning solution remains on the surface. A dry residue may be invisible, however, moisture from cups or drinks can reactivate it, and result in permanently etched scars or stains over time.

Substances to Avoid

Acidic or abrasive cleaners can damage laminate surfaces - do not use them. Drain cleaners containing lye will permanently damage the laminate surface. If you spill or splash a drain cleaner on the laminate, wipe it up immediately and rinse several times with water.

Hair, textile, and food dyes can cause permanent stains. If dye should happen to spill or splash on the laminate, wipe it up immediately with dishwashing detergent or an all-purpose cleaner.

Wipe spills away promptly and rinse several times with water.

Rust removers contain harsh chemicals which will quickly cause permanent damage. If a spill or splash occurs, wipe off all residue immediately, wash thoroughly with soapy water, and rinse several times.

Steel wool and other abrasive pads will damage the laminate surface. Do not use them for cleaning, and do not leave steel wool pads on the laminate; the metal can rust and leave stains.

Toilet bowl cleaners contain harsh chemicals that can cause permanent damage. If spills or splashes occur, wipe up immediately, wash the surface with soapy water and rinse several times.

Recommended Cleaners

The following commercially available cleaners can be used on the laminated surface:

- Clorox® (avoid prolonged exposure)
- Formula 409®
- Dawn®
- Glass Plus®
- Dow Bathroom Cleaner with Scrubbing Bubbles™
- Fantastik®
- Favor®
- Windex®
- Lestoil®
- Pledge®
- Grease Relief®
- Lysol® Brand Disinfectant Basin/Tub/Tile Cleaner
- Mr. Clean®
- TOP JOB®

Cleaners to Avoid

DO NOT use the following cleaners on the laminate:

Chemical Ingredient	Synonymous Names
■ Hydrochloric Acid	<i>Muriatic Acid</i> <i>Hydrogen Chloride</i> <i>Oleic Acid</i> <i>Oil of Vitriol</i> <i>Oleum</i>
■ Hydrofluoric Acid	<i>Rust Remover</i>
■ Phosphoric Acid	<i>Rust Remover</i>
■ Sodium Hydroxide	<i>Caustic Soda</i> <i>Caustic</i> <i>Lye</i> <i>Soda Lye</i>
■ Pumice (abrasive)	

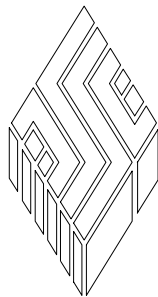
Sharp Objects

Sharp objects can damage the laminate surface, marring its beauty, and lowering wear and stain resistance. Although high pressure laminates are somewhat resistant to scratching and marring, the surface can be damaged even under normal use.

Dusting

The laminate may need occasional dusting. To keep the surface beautiful, use a non-oily furniture spray. (Remember to clean the spray off several times a year to prevent build-up.) Furniture polish can also help hide fine scratches in the surface.

***For more information on SSCI's fine line of products
& accessories, talk to your SSCI sales representative.***



SSCI

Suburban Surgical Company, Inc.

275 Twelfth Street

Phone: (847) 537-9320

Toll Free: (800) 323-7366

Wheeling, IL 60090

Fax: (847) 537-9061

Web: www.suburbansurgical.com